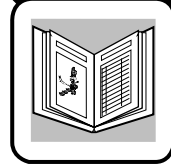


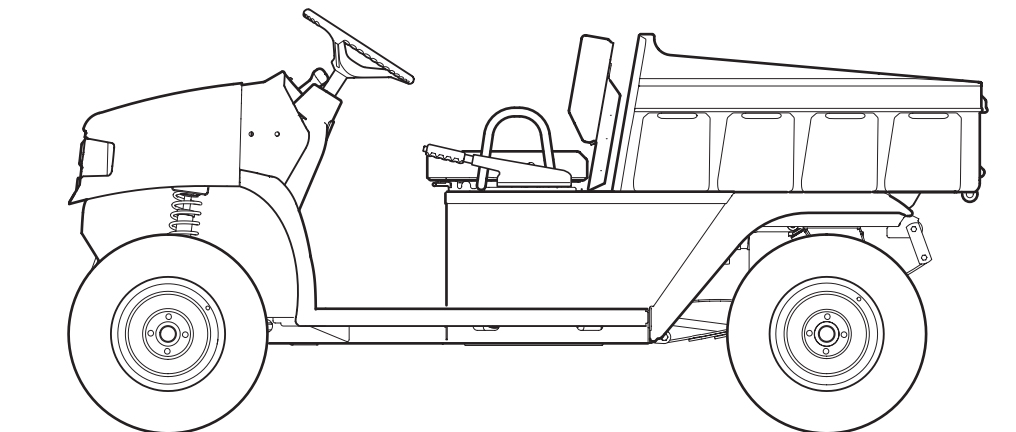
28981-G01



A Textron Company



# SERVICE PARTS MANUAL



*Ref Fcv 19*

## **GASOLINE POWERED UTILITY VEHICLE**

STARTING MODEL YEAR: 2004



# **SERVICE PARTS MANUAL**

## **GASOLINE POWERED UTILITY VEHICLE**

### **E-Z-GO ST 4X4**

E-Z-GO Division of TEXTRON, Inc. reserves the right to make design changes without obligation to make these changes on units previously sold and the information contained in this manual is subject to change without notice.

E-Z-GO Division of TEXTRON, Inc. is not liable for errors in this manual or for incidental or consequential damages that result from the use of the material in this manual.

**CUSTOMER SERVICE DEPARTMENT IN USA PHONE: 1-800-241-5855 FAX: 1-800-448-8124**

**OUTSIDE USA PHONE: 010-1-706-798-4311, FAX: 010-1-706-771-4609**

**E-Z-GO DIVISION OF TEXTRON, INC., 1451 MARVIN GRIFFIN ROAD, AUGUSTA, GEORGIA USA 30906 - 3852**

## **GENERAL INFORMATION**

To obtain a copy of the limited warranty applicable to the vehicle, call or write a local Distributor, authorized Branch or the Warranty Department with vehicle serial number and manufacturer code.

The use of non Original Equipment Manufacturer (OEM) parts may void the warranty.

Tampering with or adjusting the governor to permit vehicle to operate at above factory specifications will void the vehicle warranty.

When servicing engines, all adjustments and replacement components must be per original vehicle specifications in order to maintain the United States of America Federal and State emission certification applicable at the time of manufacture.

### **BATTERY PROLONGED STORAGE**

All batteries will self discharge over time. The rate of self discharge varies depending on the ambient temperature and the age and condition of the batteries.

A fully charged battery will not freeze in winter temperatures unless the temperature falls below -75° F (-60° C).

# TABLE OF CONTENTS

<b>SECTION</b>	<b>Page No.</b>
HOW TO USE THE SERVICE PARTS MANUAL . . . . .	v
ILLUSTRATED PARTS BREAKDOWN . . . . .	vii
ACCELERATOR . . . . .	A-1
AIR FILTER . . . . .	B-1
BODY - FRONT . . . . .	C-1
BODY - MID . . . . .	C-5
BODY - REAR . . . . .	C-7
BRAKES . . . . .	D-1
BRAKES - PARK . . . . .	D-5
DIRECTION AND DRIVE SELECTOR . . . . .	E-1
DRIVETRAIN - FRONT . . . . .	F-1
DRIVETRAIN - MID . . . . .	F-3
DRIVETRAIN - REAR . . . . .	F-7
ELECTRICAL . . . . .	G-1
EXHAUST . . . . .	H-1
FRONT SUSPENSION . . . . .	I-1
FUEL SYSTEM . . . . .	J-1
HITCH . . . . .	K-1
REAR SUSPENSION . . . . .	L-1
SEAT . . . . .	M-1
STEERING . . . . .	N-1
TRUCK BED, PLASTIC . . . . .	O-1
WHEELS & TIRES . . . . .	P-1
SPECIALTY PRODUCTS . . . . .	APPENDIX A-1
OPTIONS/ACCESSORIES . . . . .	APPENDIX B-1
INDEX OF MAJOR COMPONENTS . . . . .	INDEX-1



# HOW TO USE THE SERVICE PARTS MANUAL

This manual is divided into several sections:

## GENERAL INFORMATION

- TABLE OF CONTENTS
- HOW TO USE THE SERVICE PARTS MANUAL

## ILLUSTRATED PARTS BREAKDOWN

- Contains illustrations and parts lists for all systems of the vehicle

## APPENDIX

- Contains a listing of specialty products and options/accessories

## INDEX OF MAJOR COMPONENTS

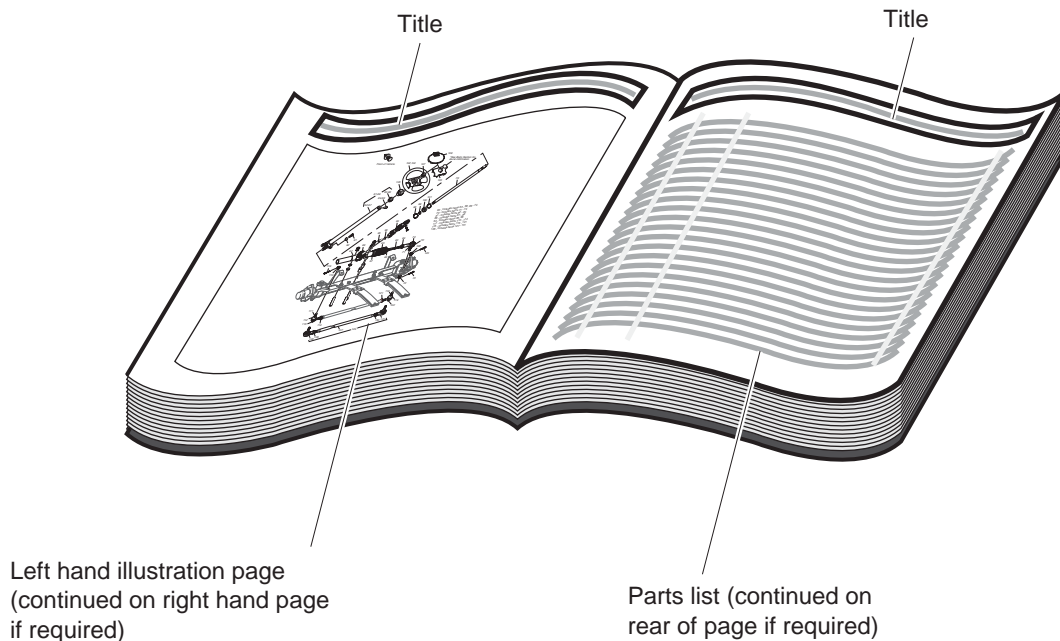
- Contains a listing of parts (excluding hardware) grouped by part number and description and indicates on which page(s) they can be found

## USE OF THE MANUAL

To use this manual, consult the TABLE OF CONTENTS (page iii) or the INDEX OF MAJOR COMPONENTS (located at rear of this manual) to locate the information or illustration required.

Introduction of some revisions varies due to supply of components; therefore, it is possible that various combinations of components may be found that are not directly reflected by each illustration. Consult the illustration that best suits your situation. Locate the serial number plate (see BODY located in the Illustrated Parts Breakdown section of this manual for its location) and note the complete number shown on the plate. It is important that the serial number of your vehicle and its model number be supplied to Service Parts when ordering any replacement components.

# HOW TO USE THE SERVICE PARTS MANUAL



## 1. WHEN THE PART NUMBER IS NOT KNOWN

- Determine the function and application of the part required. Turn to the INDEX OF MAJOR COMPONENTS and select the most appropriate component description.
- Turn to the page number indicated and locate the part description in the parts list. Read the full accompanying description for specific information regarding the part that was not shown in the index.
- From the parts list, obtain the item number assigned to it and confirm that the part selected is correct by verifying it with the pictorial representation on the illustrated page.

## 2. IF YOU KNOW THE PART NUMBER

- Use the INDEX OF MAJOR COMPONENTS to find the page(s) the part number appears on.
- Turn to the page number indicated and locate the part number in the parts list. Refer to the accompanying description for specific information regarding the part.
- From the parts list, obtain the item number assigned to it and confirm that the part selected is correct by verifying it with the pictorial representation on the illustrated page.

Should an asterisk (\*) appear in the part number column on the parts list page, read upwards until a part number is found. The part number is the lowest assembly sold by Service Parts. The asterisk (\*) indicates that the part depicted is not available for purchase.

NOTE: Descriptions are indented under the assembly that they are used on. That assembly is, in turn listed under the assembly that it is used on. This process is repeated until the highest final assembly is reached.

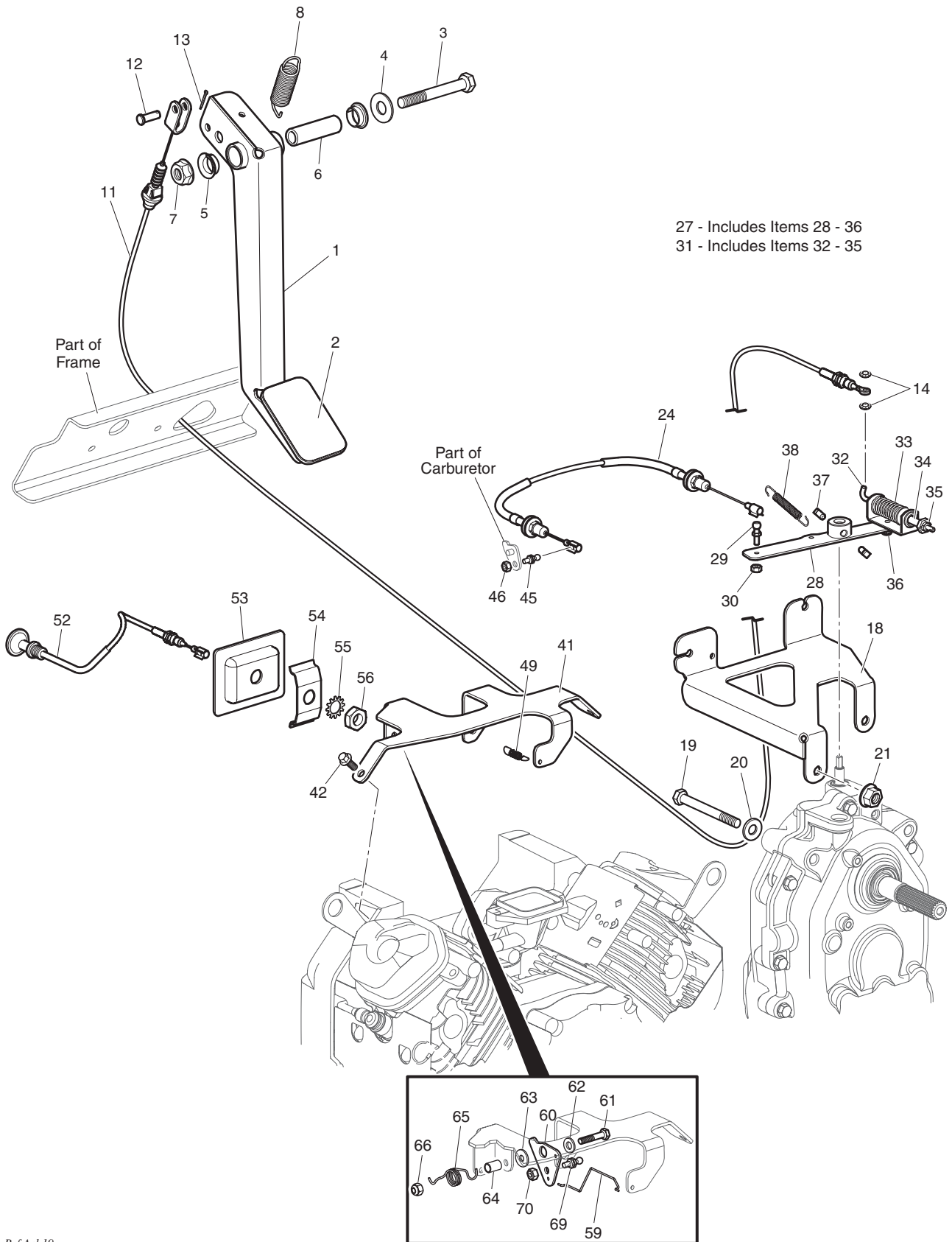
**To facilitate the maintenance and repair of the vehicle, a Technician's Repair and Service Manual is available from the Service Parts Department.**



# **ILLUSTRATED PARTS BREAKDOWN**

# **ILLUSTRATED PARTS BREAKDOWN**

# ACCELERATOR



# ACCELERATOR

Where applicable, THE USE OF NON UL PARTS WILL VOID ANY UL LISTING.  
 When ordering parts, please specify the model and serial number of the product.  
 \* Indicates a component that is not available as an individual part.  
 G\*\* Indicates consult Customer Service Department for additional information.

ITEM	PART NO.	1 2 3 4 5	DESCRIPTION	QTY.
1	<u>73999-G01</u>		ACCELERATOR PEDAL.....	1
2	<u>73547-G01</u>		PEDAL PAD .....	1
3	<u>311398</u>		SCREW, 1/2 - 13 X 3 1/2.....	1
4	<u>00643-G3</u>		WASHER, 1/2" .....	1
5	<u>73995-G01</u>		BUSHING .....	2
6	<u>73993-G01</u>		INNER PIVOT TUBE.....	1
7	<u>800700</u>		LOCK NUT, 1/2 - 13 .....	1
8	<u>73813-G01</u>		SPRING.....	1
9				
10				
11	<u>73699-G01</u>		ACCELERATOR CABLE .....	1
12	<u>10386-G3</u>		CLEVIS PIN, 5/16" X 13/16" LG .....	1
13	<u>10387-G3</u>		COTTER PIN, 3/32" X 3/4" LG .....	1
14	<u>12064-G3</u>		PUSH NUT, 3/16" .....	2
15				
16				
17				
18	<u>73720-G01</u>		ACCELERATOR AND GOVERNOR CABLE BRACKET .....	1
19	<u>311391</u>		SCREW, 3/8 - 16 X 4.....	2
20	<u>00643-G1</u>		WASHER, 3/8" .....	1
21	<u>800698</u>		LOCK NUT, 3/8 - 16 .....	2
22				
23				
24	<u>73820-G01</u>		GOVERNOR CABLE.....	1
25				
26				
27	<u>73719-G01</u>		GOVERNOR LEVER ASSEMBLY.....	1
28	<u>73718-G01</u>		GOVERNOR LEVER .....	1
29	<u>15944-G1</u>		BALL JOINT.....	1
30	<u>00734-G5</u>		LOCK NUT, #10 - 32.....	1

# ACCELERATOR

Where applicable, THE USE OF NON UL PARTS WILL VOID ANY UL LISTING.

When ordering parts, please specify the model and serial number of the product.

\* Indicates a component that is not available as an individual part.

G\*\* Indicates consult Customer Service Department for additional information.

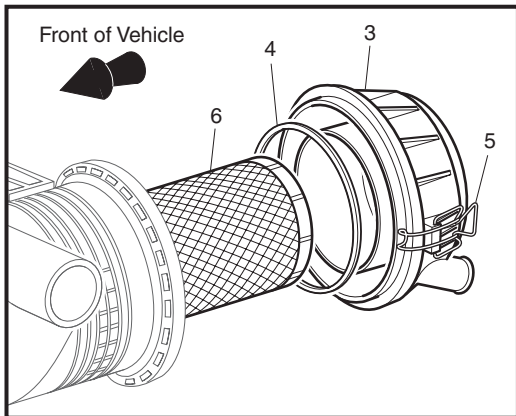
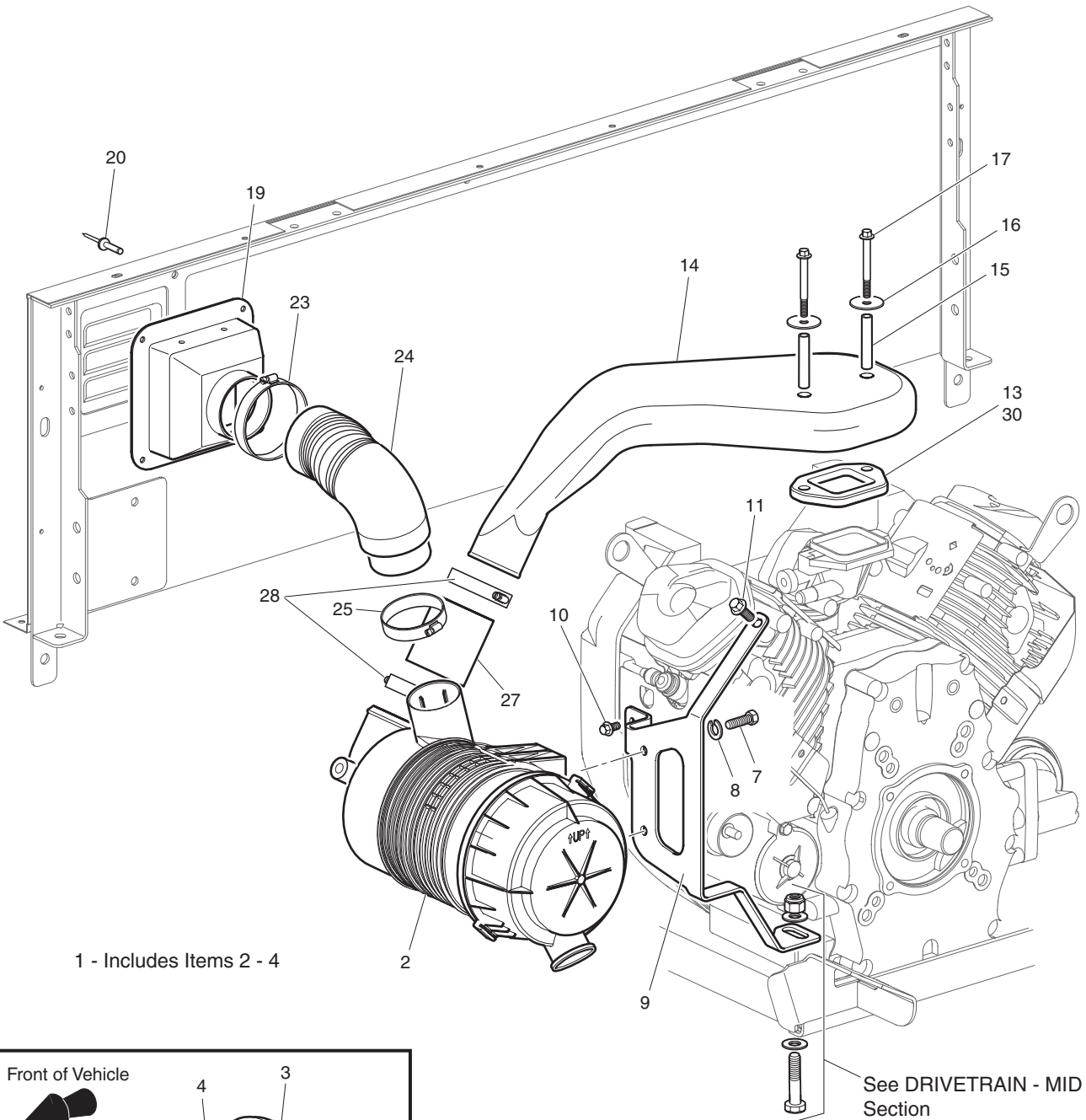
ITEM	PART NO.	1	2	3	4	5	DESCRIPTION	QTY.
31	<u>22751-G2</u>						GOVERNOR BRACKET ASSEMBLY (INCLUDES ITEMS 32 - 35) .....	1
32	<u>25274-G1</u>						GOVERNOR ROD .....	1
33	<u>23578-G1</u>						COMPRESSION SPRING .....	1
34	<u>23859-G1</u>						GOVERNOR ADJUSTER .....	1
35	<u>00526-G4</u>						NUT, #10 - 32 .....	1
36	<u>14390-G4</u>						LOCK NUT, 1/4 - 20 .....	1
37	<u>00491-G4</u>						SETSCREW, 1/4 - 20 X 1/2" LG .....	2
38	<u>25738-G01</u>						SPRING .....	1
39								
40								
41	<u>73571-G01</u>						GOVERNOR CABLE AND CHOKE BRACKET .....	1
42	<u>73875-G01</u>						BOLT, M8 - 1.25 X 20MM LG .....	2
43								
44								
45	<u>73722-G01</u>						BALL STUD .....	1
46	<u>00734-G5</u>						LOCK NUT, #10 -32 .....	1
47								
48								
49	<u>73862-G01</u>						EXTENSION SPRING .....	1
50								
51								
52	<u>73566-G01</u>						CHOKE CABLE .....	1
53	<u>72154-G01</u>						CHOKE CABLE ADAPTER .....	1
54	<u>72155-G02</u>						ADAPTER RETAINER .....	1
55	<u>00568-G4</u>						LOCK WASHER, 9/16" .....	1
56	<u>00545-G4</u>						JAM NUT, 9/16 - 18 .....	1
57								
58								
59	<u>72943-G01</u>						CHOKE LINKAGE .....	1
60	<u>73570-G01</u>						CHOKE PIVOT PLATE .....	1

# ACCELERATOR

Where applicable, THE USE OF NON UL PARTS WILL VOID ANY UL LISTING.  
 When ordering parts, please specify the model and serial number of the product.  
 \* Indicates a component that is not available as an individual part.  
 G\*\* Indicates consult Customer Service Department for additional information.

ITEM	PART NO.	1 2 3 4 5	DESCRIPTION	QTY.
61	<u>00415-G2</u>		BOLT, 1/4 - 20 X 1 1/4" LG .....	1
62	<u>00559-G7</u>		WASHER , 1/4" .....	1
63	<u>75677-G01</u>		BUSHING .....	1
64	<u>23726-G7</u>		SPACER, 9/16".....	1
65	<u>23577-G1</u>		TORSION SPRING .....	1
66	<u>14390-G4</u>		LOCK NUT, 1/4 - 20 .....	1
67				
68				
69	<u>73745-G01</u>		BALL STUD.....	1
70	<u>00734-G2</u>		LOCK NUT, 1/4 - 28 .....	1

# AIR FILTER



Ref Air 19

# AIR FILTER

Where applicable, THE USE OF NON UL PARTS WILL VOID ANY UL LISTING.

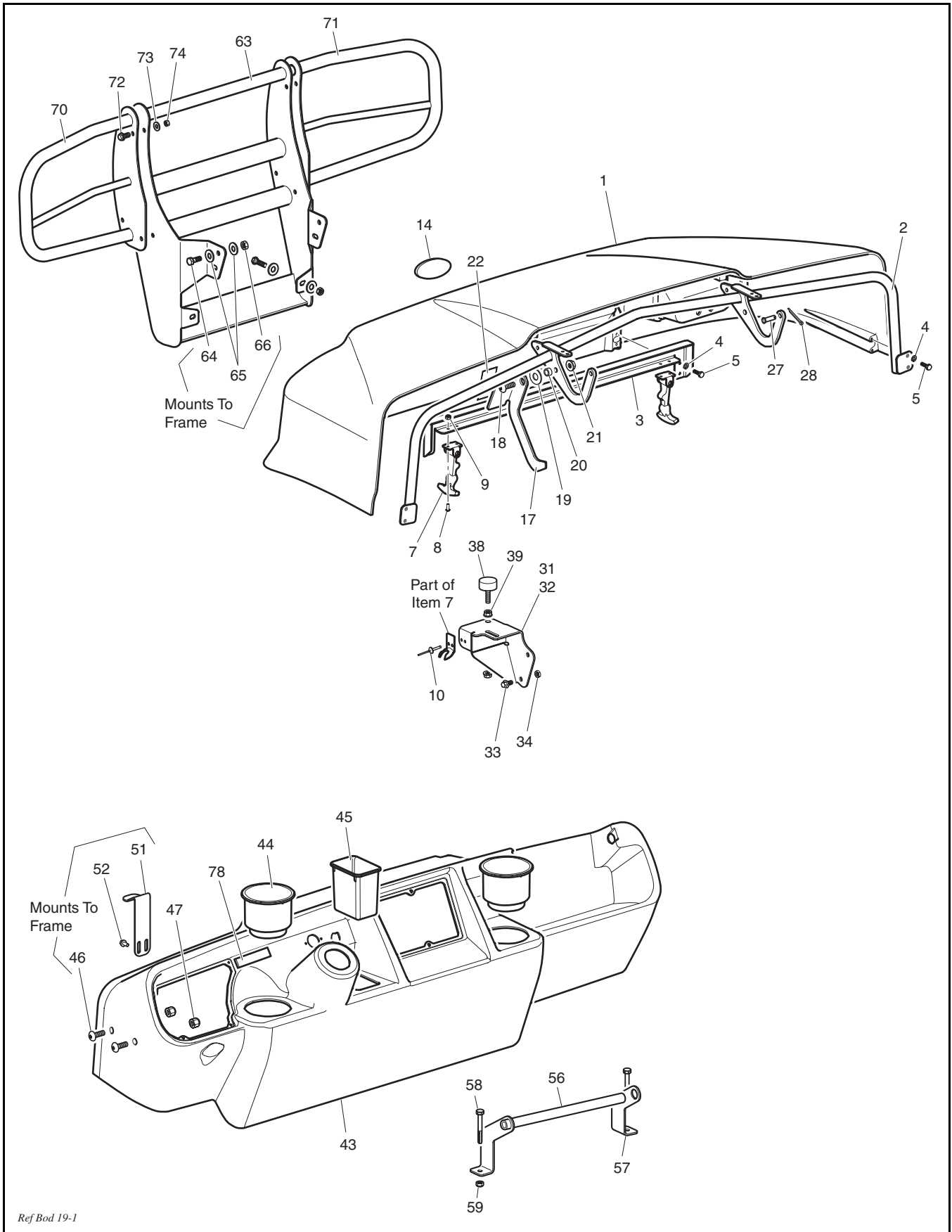
When ordering parts, please specify the model and serial number of the product.

\* Indicates a component that is not available as an individual part.

G\*\* Indicates consult Customer Service Department for additional information.

ITEM	PART NO.	1	2	3	4	5	DESCRIPTION	QTY.
1	<u>73654-G01</u>						AIR CLEANER CANISTER ASSEMBLY (INCLUDES ITEMS 2 - 4) .....	1
2	*						AIR CLEANER CANISTER .....	1
3	<u>72997-G01</u>						AIR CLEANER COVER .....	1
4	<u>72998-G01</u>						AIR CLEANER O-RING .....	1
5	*						AIR CLEANER LATCH .....	2
6	<u>72987-G01</u>						AIR CLEANER ELEMENT .....	1
7	<u>01055-G01</u>						SCREW, M8-1.25 X 30MM LG .....	2
8	450411						LOCK WASHER, M8 .....	2
9	<u>73713-G01</u>						AIR FILTER BRACKET .....	1
10	<u>73876-G01</u>						BOLT, M6 -1.00 x 12MM LG .....	1
11	<u>73875-G01</u>						BOLT, M8 -1.25 x 20MM LG .....	1
12								
13	<u>73695-G01</u>						AIR INTAKE PLENUM TO CARBURETOR SEAL .....	1
14	<u>73694-G01</u>						AIR INTAKE PLENUM .....	1
15	<u>73711-G01</u>						SPACER .....	2
16	<u>16469-G1</u>						WASHER, 1/4" .....	2
17	<u>73715-G01</u>						BOLT, M6 -1.00 x 60MM LG .....	2
18								
19	<u>73574-G01</u>						REMOTE AIR INTAKE .....	1
20	<u>71055-G01</u>						RIVET, 3/16" X 1" LG (ALUMINUM) .....	4
21								
22								
23	<u>11391-G2</u>						HOSE CLAMP, 2 1/16" .....	1
24	<u>73714-G01</u>						HOSE (CONVOLUTED) .....	1
25	<u>11391-G7</u>						HOSE CLAMP, 1 9/16" .....	1
26								
27	<u>73712-G01</u>						HOSE (AIR FILTER TO PLENUM) .....	1
28	<u>11391-G7</u>						HOSE CLAMP, 1 9/16" .....	2
29								
30	<u>70999-G01</u>						SEALANT .....	A/R

# BODY - FRONT



Ref Bod 19-1



# BODY - FRONT

Where applicable, THE USE OF NON UL PARTS WILL VOID ANY UL LISTING.  
 When ordering parts, please specify the model and serial number of the product.  
 \* Indicates a component that is not available as an individual part.  
 G\*\* Indicates consult Customer Service Department for additional information.

ITEM	PART NO.	1 2 3 4 5	DESCRIPTION	QTY.
1	72841-G**		COWL.....	1
2	<u>73586-G01</u>		COWL FRAME .....	1
3	<u>73583-G01</u>		FRONT COWL BRACKET .....	1
4	<u>00565-G5</u>		LOCK WASHER, #10 .....	12
5	<u>73640-G01</u>		SCREW, #10 - 16 X 3/4" .....	12
6				
7	<u>73639-G01</u>		HOOD LATCH .....	2
8	<u>00379-G4</u>		SCREW, #10 - 24 X 1/2" LG.....	4
9	<u>14390-G10</u>		LOCK NUT, #10 - 24 .....	4
10	<u>14601-G9</u>		RIVET, 3/16" X 9/16" LG (STAINLESS STEEL) .....	4
11				
12				
13				
14	<u>74813-G01</u>		LABEL (E-Z-GO) .....	1
15				
16				
17	<u>73496-G01</u>		COWL LATCH .....	1
18	<u>73653-G01</u>		BOLT, 3/8 - 16 X 1 1/8" .....	1
19	<u>00771-G4</u>		NYLON WASHER, 1/2" .....	1
20	<u>23726-G4</u>		SPACER, 5/16".....	1
21	<u>800698</u>		LOCK NUT, 3/8 - 16 .....	1
22	<u>72939-G01</u>		LABEL (LATCH WARNING) .....	1
23				
24				
25				
26				
27	<u>17651-G2</u>		CLEVIS PIN, 5/16" X 1 1/8" LG .....	2
28	<u>10387-G3</u>		COTTER PIN, 3/32" X 3/4" LG .....	2
29				
30				

# BODY - FRONT

Where applicable, THE USE OF NON UL PARTS WILL VOID ANY UL LISTING.  
 When ordering parts, please specify the model and serial number of the product.  
 \* Indicates a component that is not available as an individual part.  
 G\*\* Indicates consult Customer Service Department for additional information.

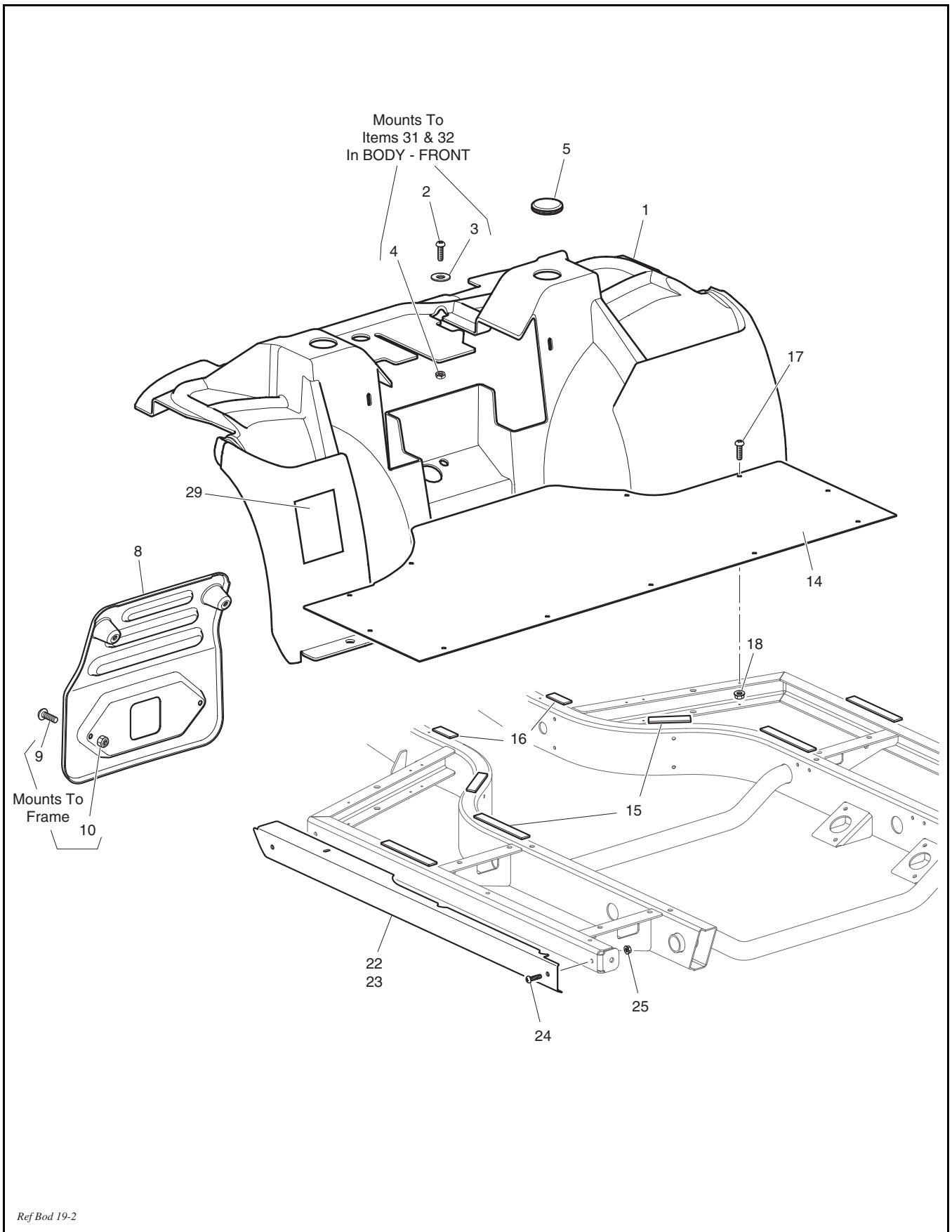
ITEM	PART NO.	1 2 3 4 5	DESCRIPTION	QTY.
31	<u>73585-G01</u>		COWL SUPPORT BRACKET (DRIVER SIDE) .....	1
32	<u>73585-G02</u>		COWL SUPPORT BRACKET (PASSENGER SIDE) .....	1
33	<u>13437-G3</u>		LOCK SCREW, 5/16 - 18 X 1" LG .....	4
34	<u>800697</u>		LOCK NUT, 5/16 - 18 .....	4
35				
36				
37				
38	<u>70113-G01</u>		ADJUSTABLE BUMPER .....	2
39	<u>11027-G1</u>		LOCK NUT, 5/16 - 18 .....	4
40				
41				
42				
43	<u>72842-G01</u>		INSTRUMENT PANEL .....	1
44	<u>73638-G01</u>		CUP HOLDER .....	2
45	<u>73726-G01</u>		HAND RADIO HOLDER .....	1
46	<u>73653-G01</u>		BOLT, 3/8 - 16 X 1 1/8" .....	4
47	<u>11098-G5</u>		LOCK NUT, 3/8 - 16 .....	4
48				
49				
50				
51	<u>73597-G01</u>		INSTRUMENT PANEL SUPPORT BRACKET .....	2
52	<u>71102-G02</u>		BOLT, 1/4 - 20 X 1/2" LG .....	4
53				
54				
55				
56	<u>73736-G01</u>		HAND RAIL .....	1
57	<u>73735-G01</u>		HAND RAIL MOUNT .....	1
58	<u>00440-G4</u>		BOLT, 5/16 - 18 X 2 1/2" LG .....	2
59	<u>800697</u>		LOCK NUT, 5/16 - 18 .....	2
60				

# BODY - FRONT

Where applicable, THE USE OF NON UL PARTS WILL VOID ANY UL LISTING.  
 When ordering parts, please specify the model and serial number of the product.  
 \* Indicates a component that is not available as an individual part.  
 G\*\* Indicates consult Customer Service Department for additional information.

ITEM	PART NO.	1 2 3 4 5	DESCRIPTION	QTY.
61				
62				
63	74973-G01		BRUSH GUARD.....	1
64	<u>00463-G4</u>		BOLT, 7/16 - 14 X 1 1/2" LG .....	6
65	<u>00643-G3</u>		WASHER, 1/2" .....	12
66	<u>00734-G1</u>		LOCK NUT, 7/16 - 14 .....	6
67				
68				
69				
70	<u>74978-G01</u>		BRUSH GUARD SIDE (DRIVER SIDE) .....	1
71	<u>74978-G02</u>		BRUSH GUARD SIDE (PASSENGER SIDE).....	1
72	<u>13437-G4</u>		LOCK SCREW, 3/8 - 16 X 1" LG.....	8
73	<u>00571-G2</u>		WASHER, 5/16" .....	8
74	<u>11098-G4</u>		LOCK NUT, 3/8 - 16 .....	8
75				
76				
77				
78	<u>29187-G01</u>		LABEL (COLD STARTING).....	1

# BODY - MID

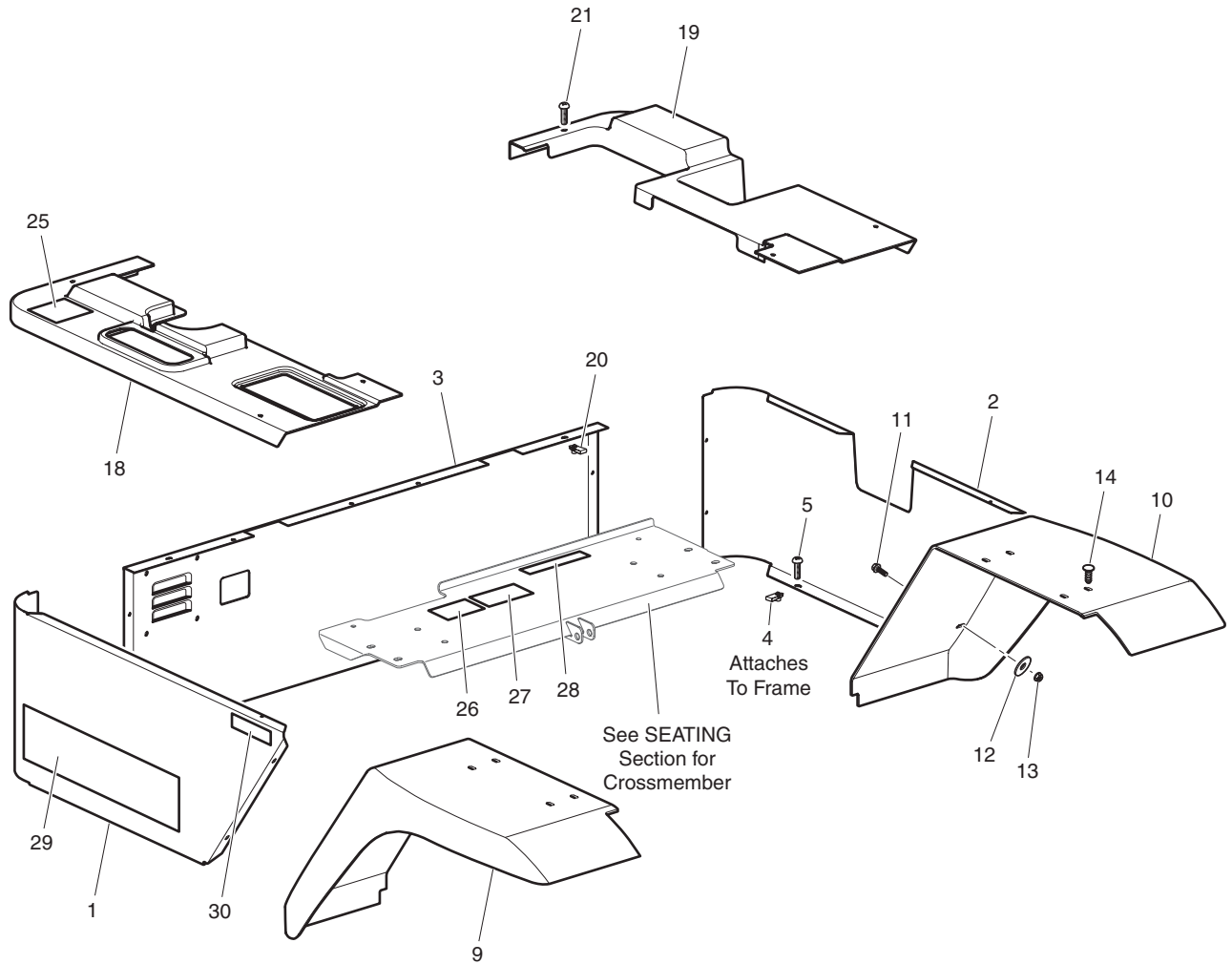


Ref Bod 19-2

Where applicable, THE USE OF NON UL PARTS WILL VOID ANY UL LISTING.  
 When ordering parts, please specify the model and serial number of the product.  
 \* Indicates a component that is not available as an individual part.  
 G\*\* Indicates consult Customer Service Department for additional information.

ITEM	PART NO.	1 2 3 4 5	DESCRIPTION	QTY.
1	<u>73608-G01</u>		FRONT FENDER WELL .....	1
2	<u>16705-G1</u>		SCREW, 1/4 - 20 X 1" LG (STAINLESS STEEL) .....	2
3	<u>00642-G8</u>		WASHER, 5/16" .....	2
4	<u>800706</u>		LOCK NUT, 1/4 - 20 .....	2
5	<u>35643-G01</u>		HOLE PLUG.....	2
6				
7				
8	<u>72940-G01</u>		FRONT VALANCE.....	1
9	<u>73653-G01</u>		BOLT, 3/8 - 16 X 1 1/8".....	4
10	<u>11098-G5</u>		LOCK NUT, 3/8 - 16 .....	4
11				
12				
13				
14	<u>73833-G01</u>		FLOORPAN.....	1
15	<u>14382-G4</u>		NOISE SUPPRESSION STRIP, 6".....	6
16	<u>14382-G7</u>		NOISE SUPPRESSION STRIP, 2".....	2
17	<u>16705-G1</u>		SCREW, 1/4 - 20 X 1" LG (STAINLESS STEEL) .....	11
18	<u>800706</u>		LOCK NUT, 1/4 - 20 .....	11
19				
20				
21				
22	<u>73599-G01</u>		ROCKER PANEL (DRIVER SIDE).....	1
23	<u>73599-G02</u>		ROCKER PANEL (PASSENGER SIDE).....	1
24	<u>16705-G1</u>		SCREW, 1/4 - 20 X 1" LG (STAINLESS STEEL) .....	4
25	<u>800706</u>		LOCK NUT, 1/4 - 20 .....	4
26				
27				
28				
29	<u>73771-G01</u>		LABEL (WARNING).....	1

# BODY - REAR



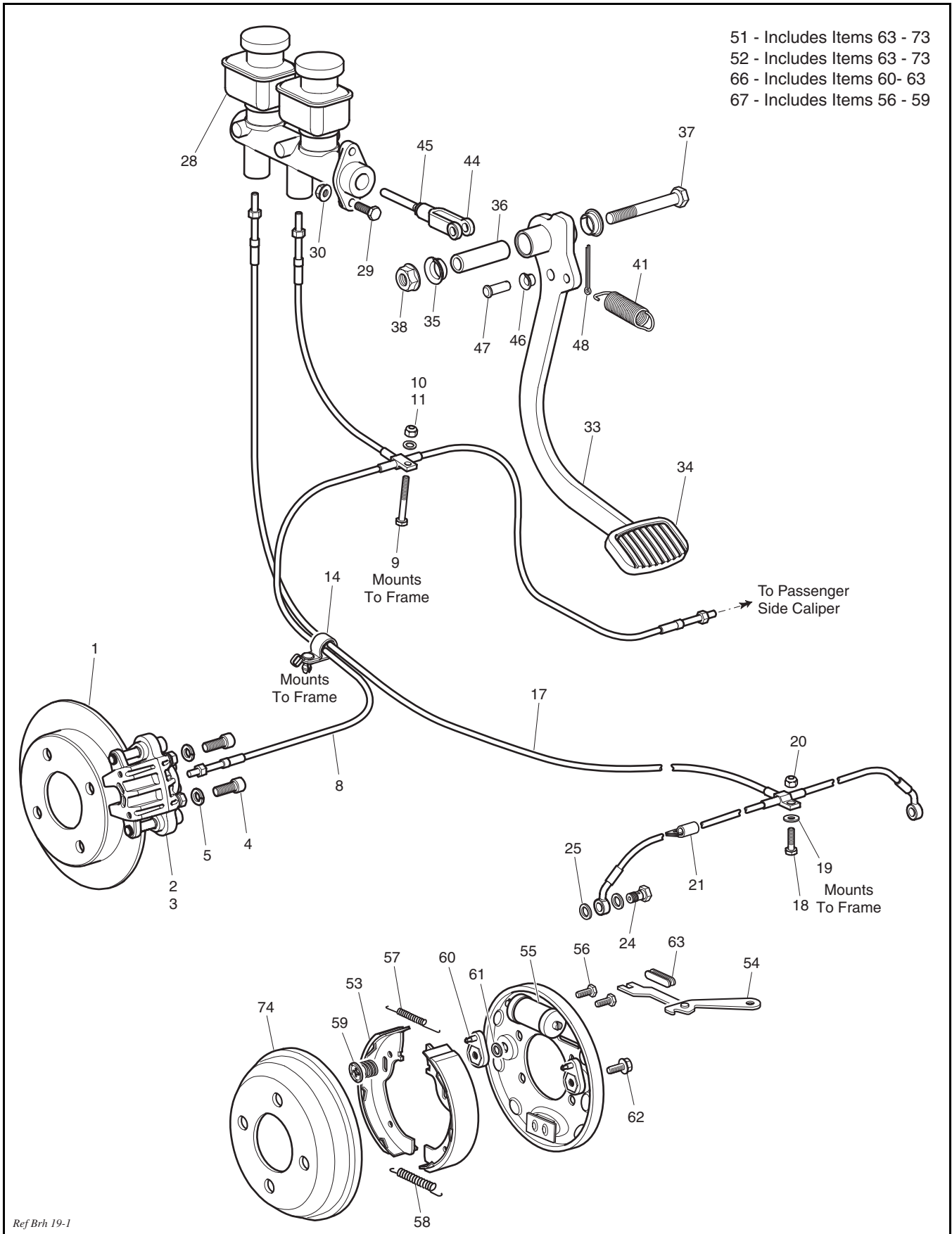
Ref Bod 19-3

# BODY - REAR

Where applicable, THE USE OF NON UL PARTS WILL VOID ANY UL LISTING.  
 When ordering parts, please specify the model and serial number of the product.  
 \* Indicates a component that is not available as an individual part.  
 G\*\* Indicates consult Customer Service Department for additional information.

ITEM	PART NO.	1 2 3 4 5	DESCRIPTION	QTY.
1	73641-G**		LOWER SIDE PANEL (DRIVER SIDE) .....	1
2	73641-G**		LOWER SIDE PANEL (PASSENGER SIDE) .....	1
3	73642-G**		SEAT SUPPORT PANEL .....	1
4	<u>14776-G1</u>		RETAINER NUT ('J' TYPE) .....	9
5	<u>16705-G1</u>		SCREW, 1/4 - 20 X 1" LG (STAINLESS STEEL) .....	9
6				
7				
8				
9	73626-G01		REAR FENDER (DRIVER SIDE) .....	1
10	73626-G02		REAR FENDER (PASSENGER SIDE) .....	1
11	<u>13437-G9</u>		LOCK SCREW, 1/4 - 20 X 3/4" LG .....	4
12	16469-G3		WASHER, 5/16" .....	4
13	<u>800706</u>		LOCK NUT, 1/4 - 20 .....	4
14	<u>16816-G2</u>		RATCHET FASTENER, 1/4" X 3/4" LG .....	8
15				
16				
17				
18	<u>73819-G01</u>		SEAT PANEL (DRIVER SIDE) .....	1
19	<u>73818-G01</u>		SEAT PANEL (PASSENGER SIDE) .....	1
20	<u>14776-G1</u>		RETAINER NUT ('J' TYPE) .....	6
21	<u>16705-G1</u>		SCREW, 1/4 - 20 X 1" LG (STAINLESS STEEL) .....	6
22				
23				
24				
25	<u>73769-G01</u>		LABEL (PARK BRAKE) .....	1
26	<u>75696-G01</u>		LABEL (HOT EXHAUST) .....	1
27	<u>74093-G01</u>		LABEL (WARNING) .....	1
28	<u>24880-G1</u>		LABEL (GOVERNOR WARNING) .....	1
29	<u>73955-G01</u>		LABEL (ST 4X4) .....	2
30	<u>74099-G01</u>		LABEL (TILT WARNING PICTOGRAM) .....	2

# BRAKES





# BRAKES

Where applicable, THE USE OF NON UL PARTS WILL VOID ANY UL LISTING.

When ordering parts, please specify the model and serial number of the product.

\* Indicates a component that is not available as an individual part.

G\*\* Indicates consult Customer Service Department for additional information.

ITEM	PART NO.	1 2 3 4 5	DESCRIPTION	QTY.
1	<u>73625-G01</u>		ROTOR .....	2
2	<u>73790-G01</u>		CALIPER (INCLUDES PADS) .....	2
3	<u>72935-G01</u>		BRAKE PADS (SET OF 4) .....	1
4	<u>73972-G01</u>		BOLT, 3/8 -24 x 1" LG.....	4
5	<u>00878-G1</u>		LOCK WASHER, 3/8".....	4
6				
7				
8	<u>73791-G01</u>		FRONT BRAKE LINE .....	1
9	00415-G8		BOLT, 1/4 - 20 X 2" LG .....	1
10	<u>00559-G7</u>		WASHER , 1/4" .....	1
11	<u>14390-G4</u>		LOCK NUT, 1/4 - 20 .....	1
12				
13				
14	<u>73864-G01</u>		CLAMP .....	10
15				
16				
17	<u>73800-G01</u>		REAR BRAKE LINE .....	1
18	00414-G8		BOLT, 1/4 - 20 X 1" LG .....	1
19	<u>00559-G7</u>		WASHER , 1/4" .....	1
20	<u>14390-G4</u>		LOCK NUT, 1/4 - 20 .....	1
21	<u>11845-G9</u>		INSULATED CABLE CLAMP, 5/16" .....	2
22				
23				
24	<u>75683-G01</u>		BANJO BOLT .....	2
25	<u>75684-G01</u>		COPPER GASKET.....	4
26				
27				
28	<u>73793-G01</u>		MASTER CYLINDER .....	1
29	<u>00439-G1</u>		BOLT, 5/16 - 18 X 1 1/8" LG .....	2
30	<u>800697</u>		LOCK NUT, 5/16 - 18 .....	2

# BRAKES

Where applicable, THE USE OF NON UL PARTS WILL VOID ANY UL LISTING.

When ordering parts, please specify the model and serial number of the product.

\* Indicates a component that is not available as an individual part.

G\*\* Indicates consult Customer Service Department for additional information.

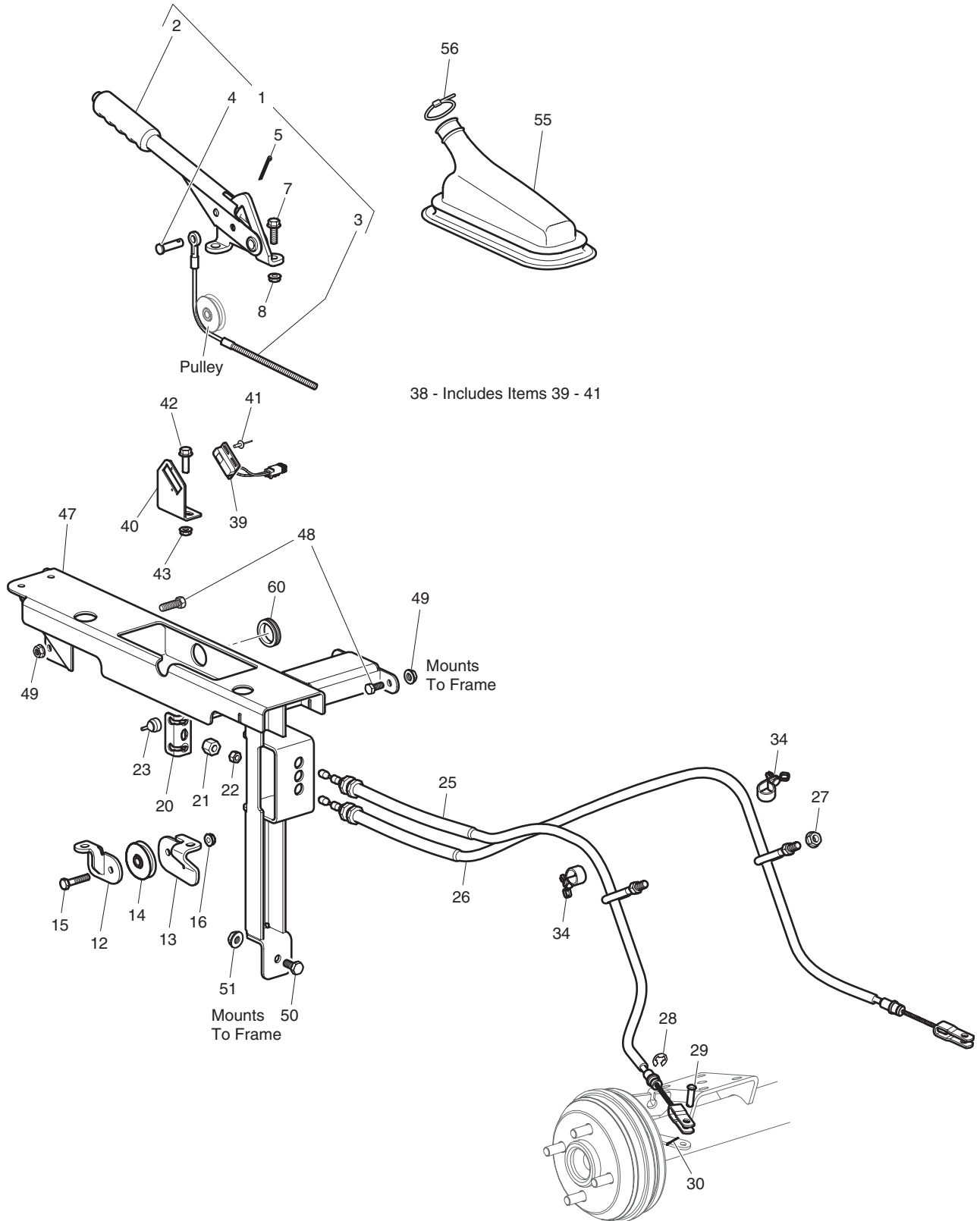
ITEM	PART NO.	1 2 3 4 5	DESCRIPTION	QTY.
31				
32				
33	<u>73976-G01</u>		BRAKE PEDAL .....	1
34	<u>810152</u>		COVER, PEDAL PAD.....	1
35	<u>73995-G01</u>		BUSHING .....	2
36	<u>73993-G01</u>		INNER PIVOT TUBE .....	1
37	<u>311398</u>		SCREW, 1/2 - 13 X 3 1/2" LG.....	1
38	<u>800700</u>		LOCK NUT, 1/2 - 13 .....	1
39				
40				
41	<u>73813-G01</u>		EXTENSION SPRING .....	1
42				
43				
44	<u>10385-G10</u>		CLEVIS YOKE (ADJUSTABLE) .....	1
45	<u>00544-G2</u>		JAM NUT, 1/4 - 28 .....	1
46	<u>73545-G01</u>		BUSHING .....	1
47	<u>10386-G4</u>		CLEVIS PIN, 3/8" X 15/16".....	1
48	<u>00798-G1</u>		COTTER PIN, 1/16" X 1" LG .....	1
49				
50				
51	<u>72819-G01</u>		BRAKE ASSEMBLY (DRIVER SIDE) (INCLUDES ITEMS 53 - 63).....	1
52	<u>72819-G02</u>		BRAKE ASSEMBLY (PASSENGER SIDE) (INCLUDES ITEMS 53 - 63) .....	1
53	<u>72180-G01</u>		BRAKE SHOE.....	2
54	<u>75829-G**</u>		PARK BRAKE WHEEL LEVER.....	1
55	<u>75828-G01</u>		WHEEL CYLINDER .....	1
56	*		WHEEL CYLINDER BOLT .....	2
57	*		UPPER RETURN SPRING .....	1
58	*		LOWER RETURN SPRING .....	1
59	*		CUP AND SPRING .....	2
60	*		ADJUSTER .....	2

# BRAKES

Where applicable, THE USE OF NON UL PARTS WILL VOID ANY UL LISTING.  
 When ordering parts, please specify the model and serial number of the product.  
 \* Indicates a component that is not available as an individual part.  
 G\*\* Indicates consult Customer Service Department for additional information.

ITEM	PART NO.	1	2	3	4	5	DESCRIPTION	QTY.
61	*						WASHER .....	2
62	*						BOLT, 1/4 - 28 X 1/2" LG.....	2
63	*						DUST COVER .....	1
64								
65								
66	<u>75826-G01</u>						ADJUSTER KIT (INCLUDES ITEMS 60 - 63) .....	1
67	<u>75827-G01</u>						HARDWARE KIT (INCLUDES ITEMS 56 - 59) .....	1
68								
69								
70								
71								
72								
73								
74	<u>72818-G01</u>						BRAKE DRUM .....	2

# BRAKES - PARK



Ref Brp 19

# BRAKES - PARK

Where applicable, THE USE OF NON UL PARTS WILL VOID ANY UL LISTING.  
 When ordering parts, please specify the model and serial number of the product.  
 \* Indicates a component that is not available as an individual part.  
 G\*\* Indicates consult Customer Service Department for additional information.

ITEM	PART NO.	1 2 3 4 5	DESCRIPTION	QTY.
1	<u>73678-G01</u>		PARK BRAKE LEVER ASSEMBLY (INCLUDES ITEMS 2 - 5).....	1
2	<u>73679-G01</u>		PARK BRAKE LEVER .....	1
3	<u>75498-G02</u>		PARK BRAKE CABLE .....	1
4	<u>17651-G1</u>		CLEVIS PIN, 3/8" X 1 1/8" LG .....	1
5	<u>10387-G2</u>		COTTER PIN, 3/32" X 1" LG .....	1
6				
7	<u>13437-G3</u>		LOCK SCREW, 5/16 - 18 X 1" LG.....	2
8	<u>800697</u>		LOCK NUT, 5/16 - 18 .....	2
9				
10				
11				
12	<u>73668-G01</u>		PULLEY MOUNT BRACKET (DRIVER SIDE).....	1
13	<u>73667-G01</u>		PULLEY MOUNT BRACKET (PASSENGER SIDE).....	1
14	<u>75789-G01</u>		PULLEY, 2" DIA.....	1
15	<u>00439-G4</u>		BOLT, 5/16 - 18 X 1 1/2" LG .....	1
16	<u>800697</u>		LOCK NUT, 5/16 - 18 .....	1
17				
18				
19				
20	<u>28082-G01</u>		EQUALIZER BRACKET .....	1
21	<u>00963-G01</u>		SPHERICAL NUT, 5/16 - 24.....	1
22	<u>00532-G4</u>		NUT, 5/16 - 24 .....	1
23	<u>28083-G01</u>		BRAKE COMPENSATOR BUMPER .....	2
24				
25	<u>73701-G01</u>		PARK BRAKE CABLE (DRIVER SIDE).....	1
26	<u>73701-G02</u>		PARK BRAKE CABLE (PASSENGER SIDE) .....	1
27	<u>800698</u>		LOCK NUT, 3/8 - 16 .....	2
28	<u>01111-G01</u>		RETAINING RING, 25/64" (STAINLESS STEEL).....	4
29	<u>14443-G3</u>		CLEVIS PIN, 5/16" X 1" LG .....	2
30	<u>10387-G3</u>		COTTER PIN, 3/32" X 3/4" LG .....	2

# BRAKES - PARK

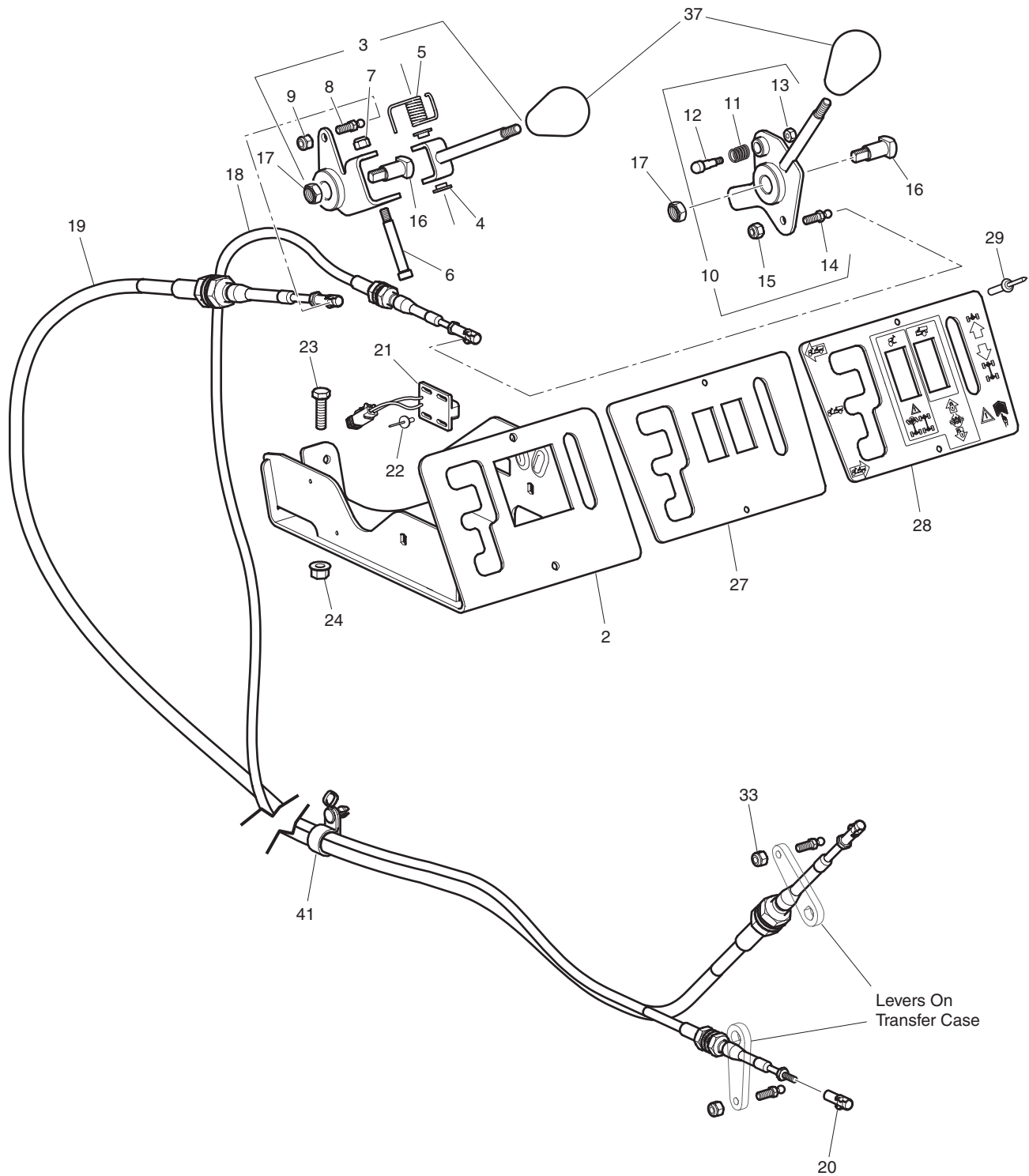
Where applicable, THE USE OF NON UL PARTS WILL VOID ANY UL LISTING.  
 When ordering parts, please specify the model and serial number of the product.  
 \* Indicates a component that is not available as an individual part.  
 G\*\* Indicates consult Customer Service Department for additional information.

ITEM	PART NO.	1	2	3	4	5	DESCRIPTION	QTY.
31								
32								
33								
34	<u>73864-G02</u>						CLAMP .....	2
35								
36								
37								
38	<u>73536-G01</u>						SENSOR ASSEMBLY (INCLUDES ITEMS 39 - 41) .....	1
39	<u>73826-G01</u>						PROXIMITY SENSOR SWITCH.....	1
40	<u>73977-G01</u>						SENSOR BRACKET .....	1
41	<u>10570-G3</u>						RIVET, 1/8" X 17/32" LG (ALUMINUM) .....	2
42	<u>13437-G3</u>						LOCK SCREW, 5/16 - 18 X 1" LG.....	2
43	<u>800697</u>						LOCK NUT, 5/16 - 18 .....	2
44								
45								
46								
47	<u>73676-G01</u>						PARK BRAKE FRAME .....	1
48	<u>00438-G6</u>						BOLT, 5/16 - 18 X 3/4" LG .....	5
49	<u>800697</u>						LOCK NUT, 5/16 - 18 .....	5
50	<u>00426-G6</u>						BOLT, 3/8 - 16 X 3/4" LG .....	1
51	<u>800698</u>						LOCK NUT, 3/8 - 16 .....	1
52								
53								
54								
55	<u>73854-G01</u>						PARK BRAKE BOOT.....	1
56	<u>17618-G1</u>						WIRE TIE .....	1
57								
58								
59								
60	<u>72936-G01</u>						GROMMET .....	1



# DIRECTION AND DRIVE SELECTOR

1 - Includes Items 2 - 21



Ref Dsl 19



## DIRECTION AND DRIVE SELECTOR

Where applicable, THE USE OF NON UL PARTS WILL VOID ANY UL LISTING.

When ordering parts, please specify the model and serial number of the product.

\* Indicates a component that is not available as an individual part.

G\*\* Indicates consult Customer Service Department for additional information.

ITEM	PART NO.	1	2	3	4	5	DESCRIPTION	QTY.
1	73740-G01						FNR & 2WD/4WD SHIFTER ASSEMBLY (INCLUDES ITEMS 2 - 21) .....	1
2	<u>73761-G01</u>						SHIFTER HOUSING.....	1
3	<u>73747-G01</u>						DIRECTION SELECTOR HANDLE (INCLUDES ITEMS 4 - 9) .....	1
4	<u>73751-G01</u>						FLANGED BUSHING, 5/16" .....	2
5	<u>73752-G01</u>						TORSION SPRING .....	1
6	<u>73753-G01</u>						SHOULDER BOLT, 1/4 - 20.....	1
7	<u>14390-G4</u>						LOCK NUT, 1/4 - 20 .....	1
8	<u>73745-G01</u>						BALL STUD.....	1
9	<u>00734-G2</u>						LOCK NUT, 1/4 - 28 .....	1
10	73741-G01						TWO/FOUR WHEEL DRIVE SELECTOR HANDLE (INCL. ITEMS 11 - 15)	1
11	<u>72733-G01</u>						COMPRESSION SPRING.....	1
12	<u>73746-G01</u>						DETENT PIN .....	1
13	<u>00734-G5</u>						LOCK NUT .....	1
14	<u>73745-G01</u>						BALL STUD.....	1
15	<u>00734-G2</u>						LOCK NUT .....	1
16	<u>75937-G01</u>						PIVOT SHAFT .....	2
17	<u>14390-G1</u>						LOCK NUT, 3/8 - 24 .....	2
18	<u>73759-G01</u>						TWO/FOUR WHEEL DRIVE SELECTOR CABLE (INCLUDES ITEM 20) ...	1
19	73758-G01						DIRECTION SELECTOR CABLE (INCLUDES ITEM 20).....	1
20	<u>72811-G01</u>						CABLE END SOCKET .....	2
21	<u>73825-G01</u>						PROXIMITY SENSOR SWITCH.....	1
22	<u>10570-G9</u>						RIVET, 1/8" X 11/32" LG (ALUMINUM).....	2
23	<u>00439-G1</u>						BOLT, 5/16 - 18 X 1 1/8" LG .....	2
24	<u>800697</u>						LOCK NUT, 5/16 - 18 .....	2
25								
26								
27	<u>73725-G01</u>						HAND CONTROL COVER PLATE.....	1
28	<u>73777-G01</u>						LABEL (HAND CONTROLS).....	1
29	<u>71055-G01</u>						RIVET, 3/16" X 1" LG (ALUMINUM).....	2
30								

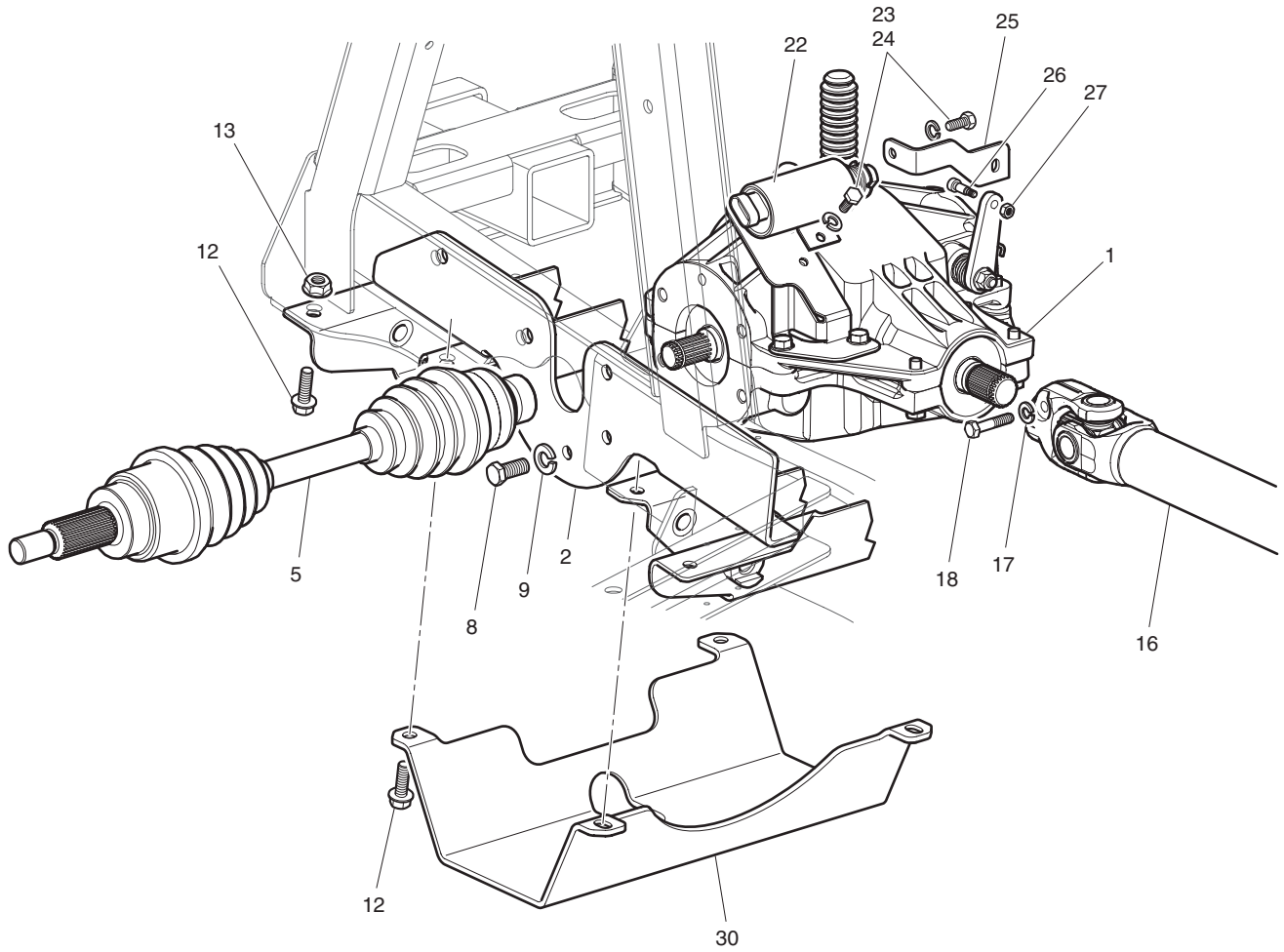
# DIRECTION AND DRIVE SELECTOR

Where applicable, THE USE OF NON UL PARTS WILL VOID ANY UL LISTING.  
 When ordering parts, please specify the model and serial number of the product.  
 \* Indicates a component that is not available as an individual part.  
 G\*\* Indicates consult Customer Service Department for additional information.

ITEM	PART NO.	1	2	3	4	5	DESCRIPTION	QTY.
31								
32	<u>73745-G01</u>						BALL STUD.....	2
33	<u>00734-G2</u>						LOCK NUT, 1/4 - 28 .....	2
34								
35								
36								
37	<u>73988-G01</u>						KNOB .....	2
38								
39								
40								
41	<u>73864-G02</u>						CLAMP .....	2

## DIRECTION AND DRIVE SELECTOR

# DRIVETRAIN - FRONT



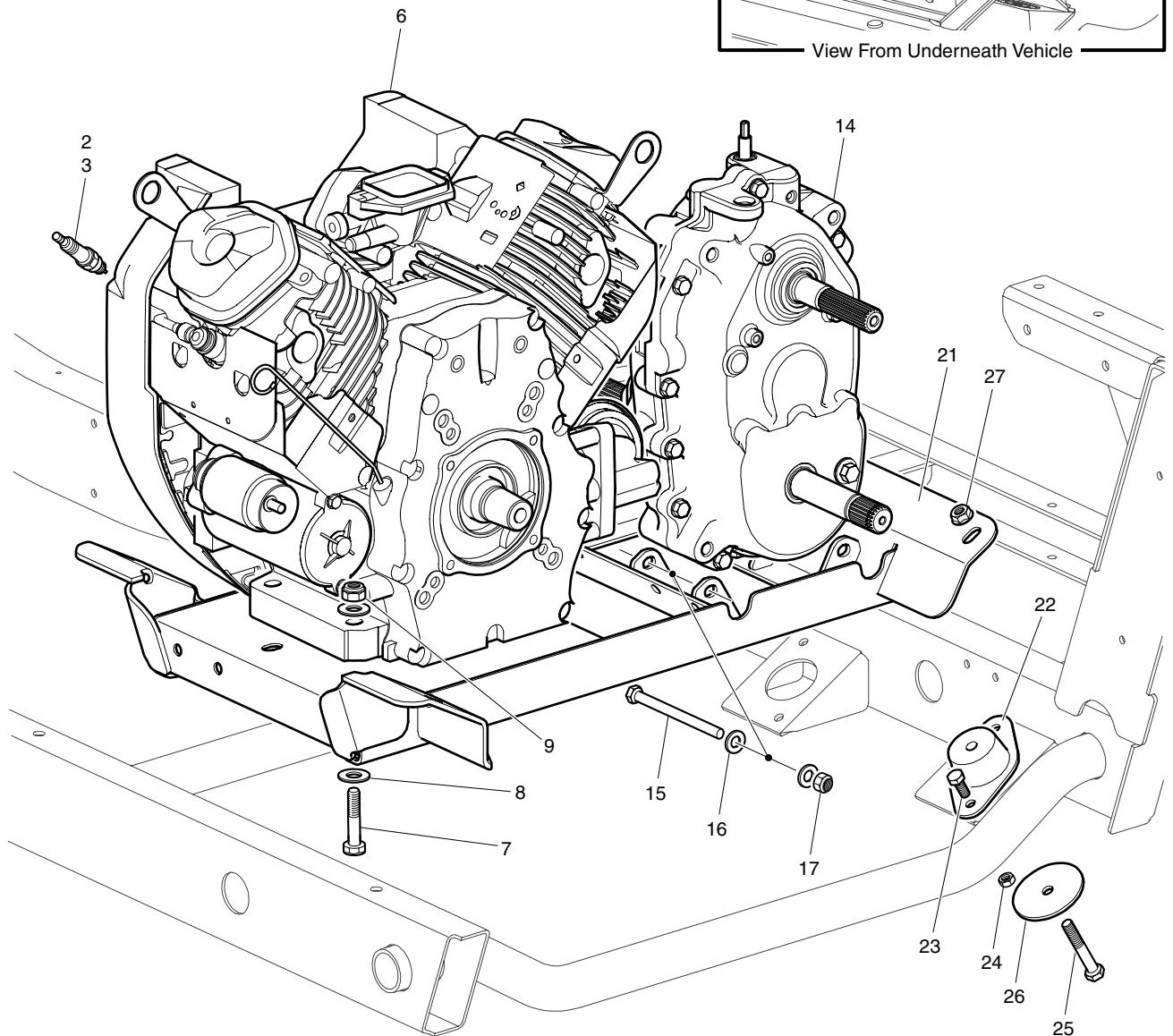
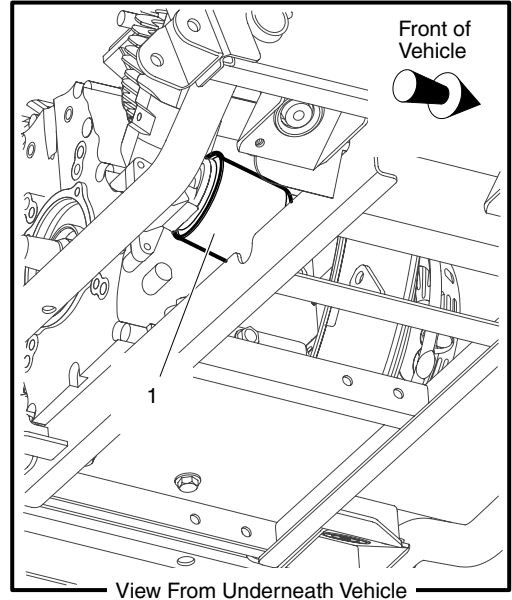
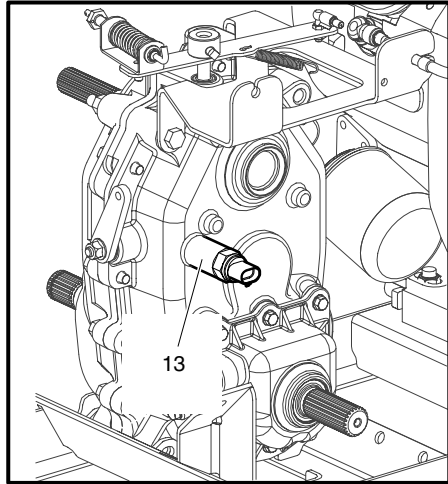
Ref Df 19

# DRIVETRAIN - FRONT

Where applicable, THE USE OF NON UL PARTS WILL VOID ANY UL LISTING.  
 When ordering parts, please specify the model and serial number of the product.  
 \* Indicates a component that is not available as an individual part.  
 G\*\* Indicates consult Customer Service Department for additional information.

ITEM	PART NO.	1 2 3 4 5	DESCRIPTION	QTY.
1	<u>73838-G01</u>		FRONT DIFFERENTIAL .....	1
2	<u>73935-G01</u>		FRONT UNDERCARRIAGE .....	1
3				
4				
5	<u>72847-G01</u>		HALF SHAFT .....	2
6				
7				
8	<u>00426-G8</u>		BOLT, 3/8 - 16 X 1" LG .....	10
9	<u>00566-G1</u>		WASHER, LOCK 3/8 .....	10
10				
11				
12	<u>13437-G4</u>		LOCK SCREW, 3/8 - 16 X 1" LG .....	10
13	<u>800698</u>		LOCK NUT, 3/8 - 16 .....	10
14				
15				
16	<u>73948-G01</u>		FRONT DRIVE SHAFT .....	1
17	<u>00565-G8</u>		LOCK WASHER, 5/16" .....	2
18	800932		BOLT, 5/16 - 24 X 1 1/2" LG .....	2
19				
20				
21				
22	<u>73963-G01</u>		SOLENOID .....	1
23	<u>300977</u>		SCREW, 1/4 - 28 X 5/8" LG .....	3
24	<u>00565-G7</u>		LOCK WASHER, 1/4" .....	3
25	<u>73961-G01</u>		DIFFERENTIAL LOCK LINKAGE .....	1
26	<u>73962-G01</u>		SHOULDER BOLT, #10 - 24 .....	1
27	<u>14390-G10</u>		LOCK NUT, #10 - 24 .....	1
28				
29				
30	<u>73834-G01</u>		FRONT DIFFERENTIAL GUARD .....	1

# DRIVETRAIN - MID



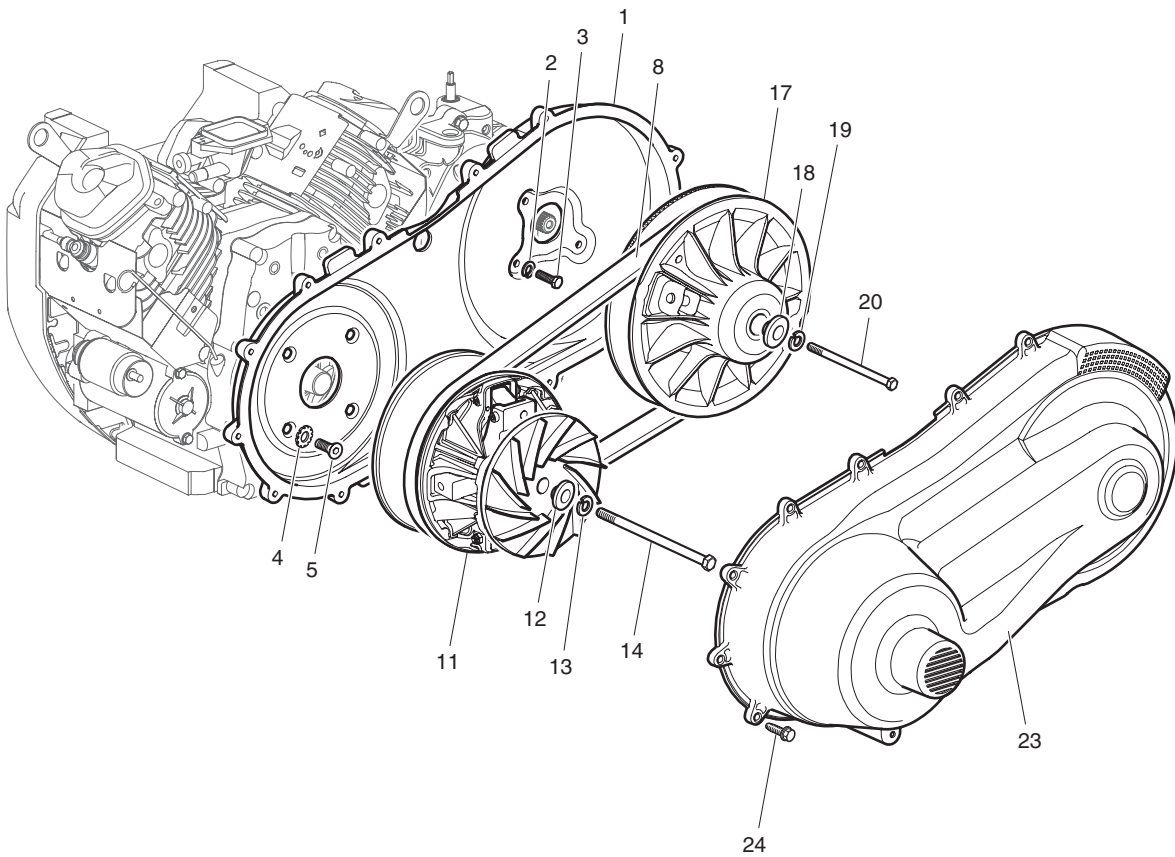
Ref Dtm 19-1

# DRIVETRAIN - MID

Where applicable, THE USE OF NON UL PARTS WILL VOID ANY UL LISTING.  
 When ordering parts, please specify the model and serial number of the product.  
 \* Indicates a component that is not available as an individual part.  
 G\*\* Indicates consult Customer Service Department for additional information.

ITEM	PART NO.	1 2 3 4 5	DESCRIPTION	QTY.
1	15400-POH-305PE		OIL FILTER .....	1
2	ZGR5A		SPARK PLUG (NGK).....	2
3	J16CR-U		SPARK PLUG (DENSO).....	2
4				
5				
6	<u>73680-G01</u>		ENGINE HONDA 18 HP.....	1
7	<u>311392</u>		SCREW, 7/16 - 14 X 2" LG.....	4
8	<u>00922-G3</u>		WASHER, 7/16" .....	8
9	<u>00734-G1</u>		LOCK NUT, 7/16 - 14 .....	4
10				
11				
12				
13	<u>72686-G01</u>		INDICATOR SWITCH.....	1
14	<u>73839-G01</u>		TRANSFER CASE .....	1
15	<u>311391</u>		SCREW, 3/8 - 16 X 4" LG.....	2
16	<u>00560-G1</u>		WASHER, 3/8" .....	4
17	<u>11098-G5</u>		LOCK NUT, 3/8 - 16 .....	2
18				
19				
20				
21	<u>73879-G01</u>		ENGINE SUB-FRAME .....	1
22	<u>73890-G01</u>		ISOLATION MOUNT .....	4
23	00438-G6		BOLT, 5/16 - 18 X 3/4" LG .....	8
24	11098-G6		LOCK NUT, 5/16 - 18 .....	8
25	<u>00427-G8</u>		BOLT 3/8 - 16 X 2" LG.....	4
26	<u>72051-G02</u>		WASHER, 3/8" .....	4
27	<u>800698</u>		LOCK NUT, 3/8 - 16 .....	4

# DRIVETRAIN - MID



Ref Dtm 19-2

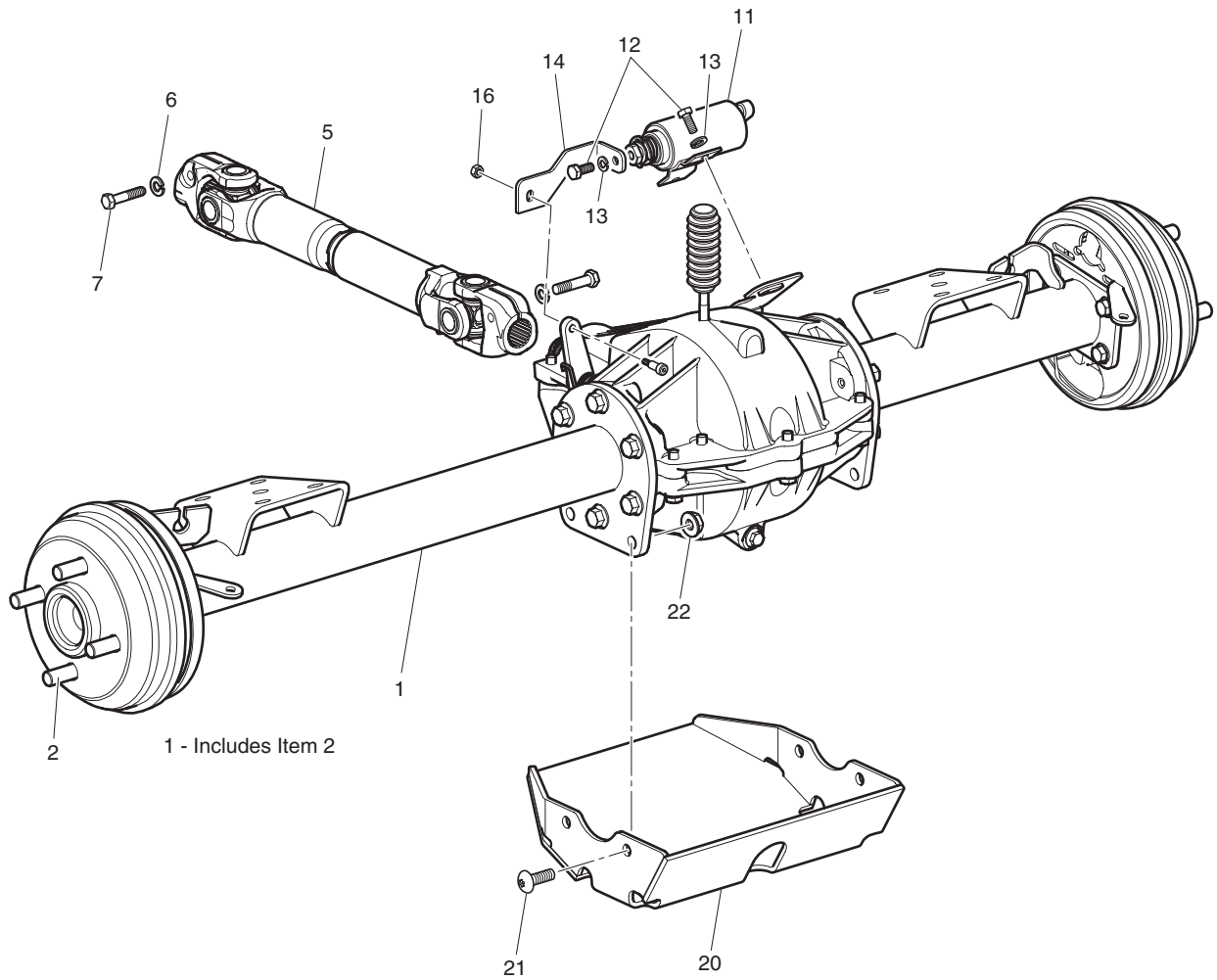


# DRIVETRAIN - MID

Where applicable, THE USE OF NON UL PARTS WILL VOID ANY UL LISTING.  
 When ordering parts, please specify the model and serial number of the product.  
 \* Indicates a component that is not available as an individual part.  
 G\*\* Indicates consult Customer Service Department for additional information.

ITEM	PART NO.	1 2 3 4 5	DESCRIPTION	QTY.
1	<u>73663-G01</u>		COVER BACK PLATE .....	1
2	<u>73960-G01</u>		LOCK WASHER, 5/16" .....	4
3	<u>73959-G01</u>		SCREW, 5/16 - 24 X 3/4" LG .....	4
4	<u>00565-G7</u>		LOCK WASHER, 1/4" .....	3
5	<u>00414-G6</u>		BOLT, 1/4 - 20 X 3/4" LG .....	3
6				
7				
8	<u>73965-G01</u>		DRIVE BELT .....	1
9				
10				
11	<u>73841-G01</u>		DRIVE CLUTCH .....	1
12	<u>25757-G1</u>		PILOT WASHER .....	1
13	<u>00566-G2</u>		LOCK WASHER, 7/16" .....	1
14	<u>73953-G01</u>		BOLT, M10 X 1.25 X 160MM LG .....	1
15				
16				
17	<u>73842-G01</u>		DRIVEN CLUTCH .....	1
18	<u>25756-G1</u>		RETAINING WASHER .....	1
19	<u>00565-G8</u>		LOCK WASHER, 5/16" .....	1
20	<u>548958</u>		SCREW, 5/16 - 18 X 3 1/2" LG .....	1
21				
22				
23	<u>73664-G01</u>		CVT COVER .....	1
24	<u>71204-G01</u>		BOLT, 1/4 - 20 X 7/8" LG .....	14

# DRIVETRAIN - REAR



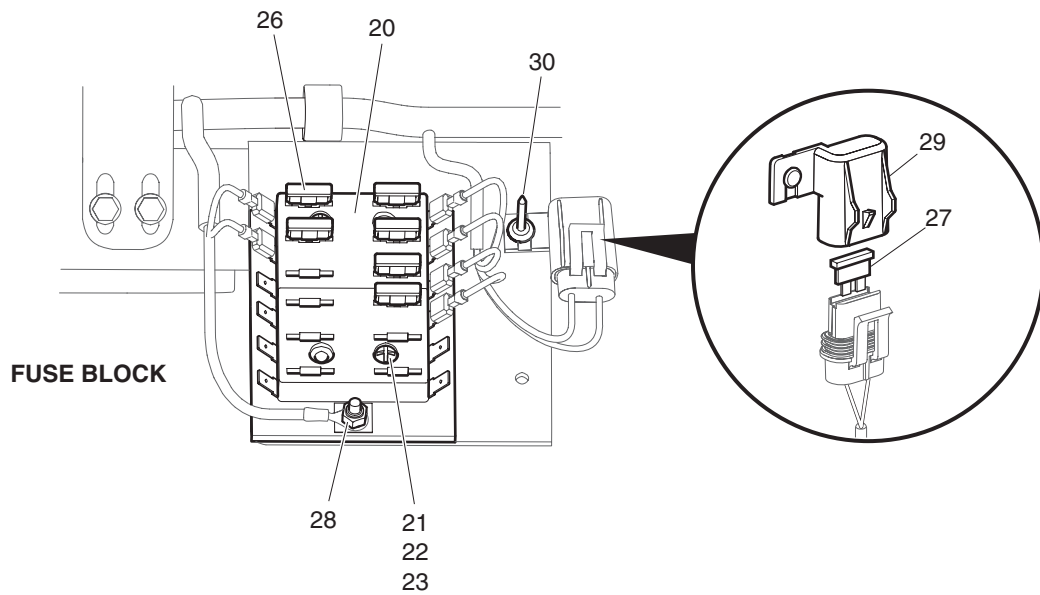
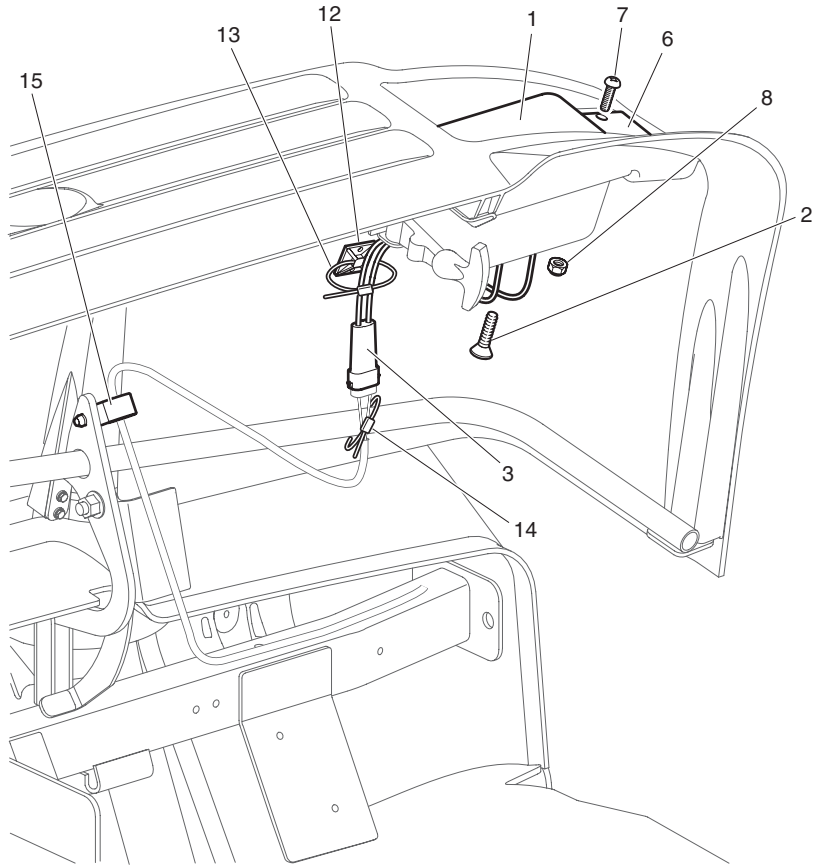
Ref Dtr 19

## DRIVETRAIN - REAR

Where applicable, THE USE OF NON UL PARTS WILL VOID ANY UL LISTING.  
 When ordering parts, please specify the model and serial number of the product.  
 \* Indicates a component that is not available as an individual part.  
 G\*\* Indicates consult Customer Service Department for additional information.

ITEM	PART NO.	1 2 3 4 5	DESCRIPTION	QTY.
1	<u>73840-G01</u>		REAR AXLE (INCLUDES ITEM 2) .....	1
2	<u>72759-G01</u>		LUG BOLT, 1/2 - 20.....	8
3				
4				
5	<u>73949-G01</u>		REAR DRIVE SHAFT .....	1
6	<u>00565-G8</u>		LOCK WASHER, 5/16" .....	2
7	800932		BOLT, 5/16 - 24 X 1 1/2" LG .....	2
8				
9				
10				
11	73963-G01		SOLENOID .....	1
12	<u>300977</u>		SCREW, 1/4 - 28 X 5/8" LG.....	3
13	<u>00565-G7</u>		LOCK WASHER, 1/4" .....	3
14	73961-G01		DIFFERENTIAL LOCK LINKAGE .....	1
15	<u>73962-G01</u>		SHOULDER SCREW .....	1
16	<u>14390-G10</u>		LOCK NUT, #10 - 24 .....	1
17				
18				
19				
20	<u>73399-G01</u>		REAR DIFFERENTIAL GUARD .....	1
21	<u>73653-G01</u>		BOLT, 3/8 - 16 X 1 1/8" .....	4
22	<u>800698</u>		LOCK NUT, 3/8 - 16 .....	4

## HEADLIGHT



Ref Ele 19-1

# ELECTRICAL

Where applicable, THE USE OF NON UL PARTS WILL VOID ANY UL LISTING.

When ordering parts, please specify the model and serial number of the product.

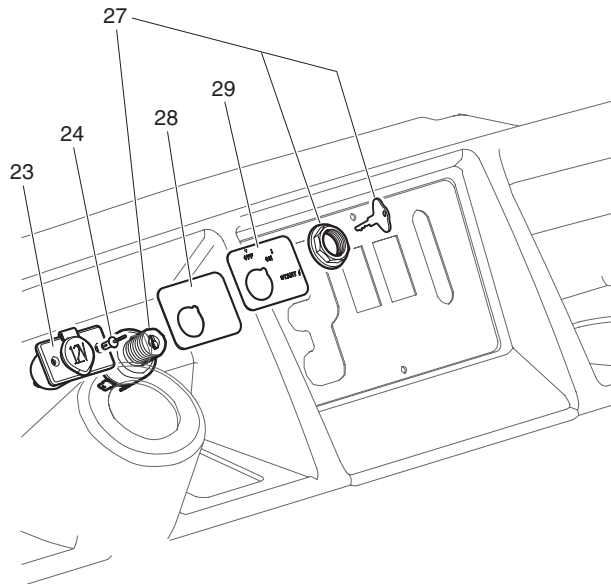
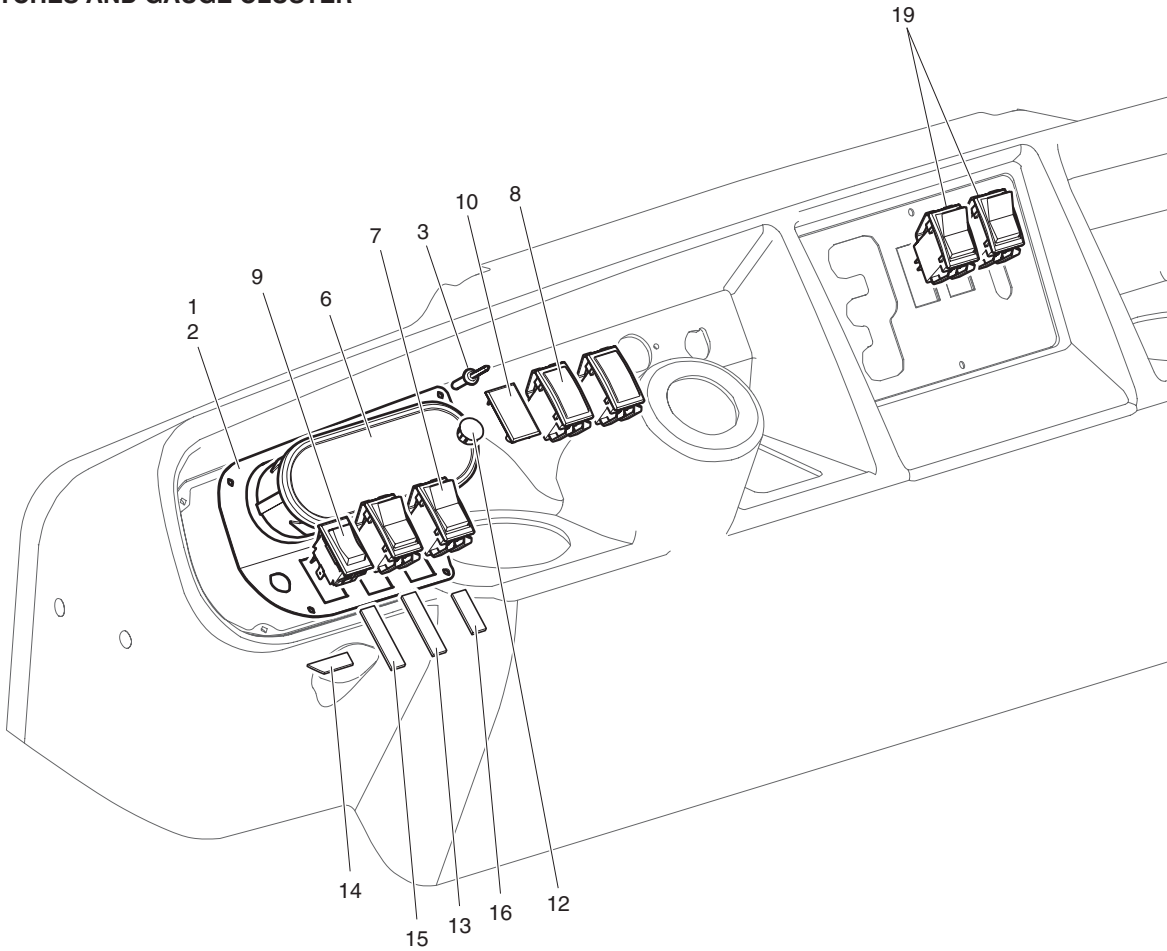
\* Indicates a component that is not available as an individual part.

G\*\* Indicates consult Customer Service Department for additional information.

ITEM	PART NO.	1 2 3 4 5	DESCRIPTION	QTY.
1	<u>22523-G1</u>		HEADLIGHT (RECTANGULAR) (INCLUDES ITEM 2) .....	2
2	<u>00906-G6</u>		SCREW, #10 - 16 X 1" LG .....	2
3	<u>74337-G01</u>		JUMPER WIRE (HEADLIGHT) .....	2
4				
5				
6	<u>20574-G4</u>		LENS, AMBER .....	2
7	<u>00645-G5</u>		SCREW, #6 - 32 X 5/8" LG.....	4
8	<u>14390-G9</u>		LOCK NUT, #6 - 32 .....	4
9				
10				
11				
12	<u>20058-G1</u>		WIRE TIE ADHESIVE BASE.....	2
13	<u>17618-G1</u>		WIRE TIE .....	2
14	<u>31539-G1</u>		WIRE TIE .....	2
15	<u>73864-G01</u>		CLAMP, 1/2" .....	2
16				
17				
18				
19				
20	<u>35211-G02</u>		FUSE BLOCK (12 POSITION) .....	1
21	<u>00379-G2</u>		SCREW, #10 - 24 X 1 1/4" LG.....	2
22	<u>00559-G5</u>		WASHER, #10.....	2
23	<u>14390-G10</u>		LOCK NUT, #10 - 24 .....	2
24				
25				
26	<u>35212-G01</u>		FUSE, 15 AMP .....	6
27	<u>35212-G03</u>		FUSE, 25 AMP .....	1
28	<u>00526-G4</u>		NUT, #10 - 32 .....	1
29	<u>73499-G01</u>		IN-LINE FUSE COVER .....	1
30	<u>71055-G01</u>		RIVET, 3/16" X 1" LG (ALUMINUM).....	1

# ELECTRICAL

## SWITCHES AND GAUGE CLUSTER



Ref Ele 19-2

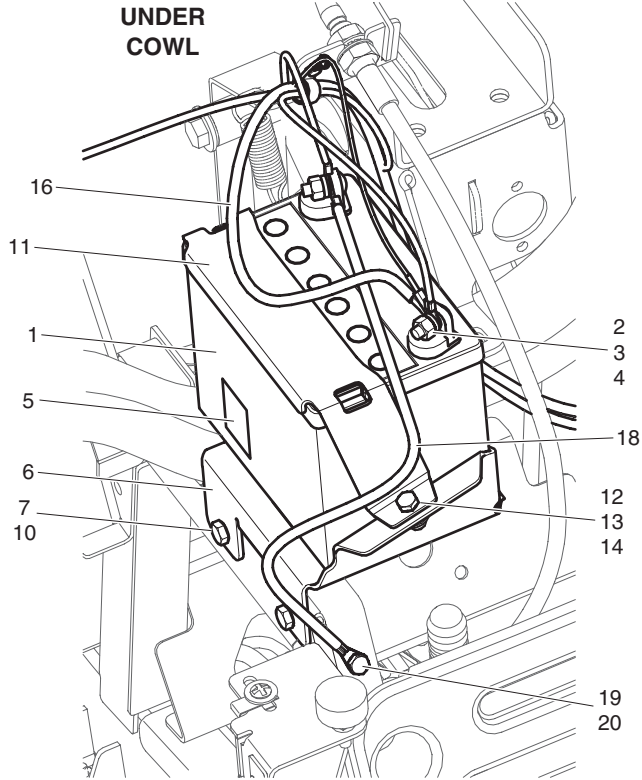
# ELECTRICAL

Where applicable, THE USE OF NON UL PARTS WILL VOID ANY UL LISTING.  
 When ordering parts, please specify the model and serial number of the product.  
 \* Indicates a component that is not available as an individual part.  
 G\*\* Indicates consult Customer Service Department for additional information.

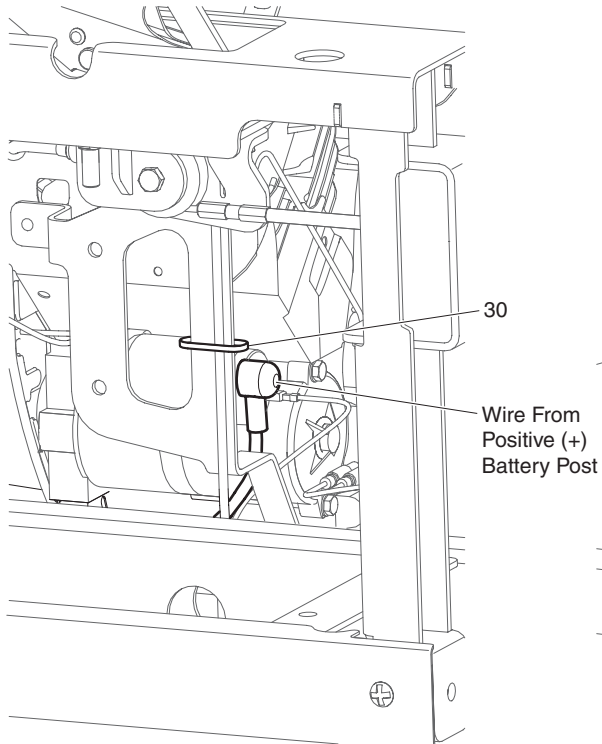
ITEM	PART NO.	1 2 3 4 5	DESCRIPTION	QTY.
1	<u>73660-G01</u>		GAUGE PLATE - OPTIONS.....	1
2	73660-G02		GAUGE PLATE - NO OPTIONS.....	1
3	<u>71055-G01</u>		RIVET, 3/16" X 1" LG (ALUMINUM).....	4
4				
5				
6	73824-G01		GAUGE CLUSTER.....	1
7	<u>73829-G01</u>		LIGHT SWITCH.....	AR
8	<u>73877-G01</u>		LIGHT SWITCH DELETE HOLE PLUG .....	AR
9	<u>73830-G01</u>		BED DUMP SWITCH .....	1
10	<u>73892-G01</u>		BED DUMP SWITCH DELETE HOLE PLUG.....	1
11				
12	<u>20271-G11</u>		HOLE PLUG, 5/8" .....	1
13	73601-G01		LABEL (HEADLIGHT) .....	1
14	73603-G01		LABEL (HORN) .....	1
15	73605-G01		LABEL (BED LIFT) .....	1
16	73607-G01		LABEL (ACCESSORY LIGHTS) .....	1
17				
18				
19	<u>73829-G02</u>		ROCKER SWITCH.....	2
20				
21				
22				
23	<u>71078-G01</u>		POWER OUTLET.....	1
24	<u>71045-G01</u>		RIVET, 5/32" X 3/4" LG .....	2
25				
26				
27	<u>72926-G01</u>		KEY SWITCH (OFF-ON-START) .....	1
28	<u>73772-G01</u>		PLATE, KEY .....	1
29	<u>73767-G01</u>		LABEL (KEY START) .....	1
30				

# ELECTRICAL

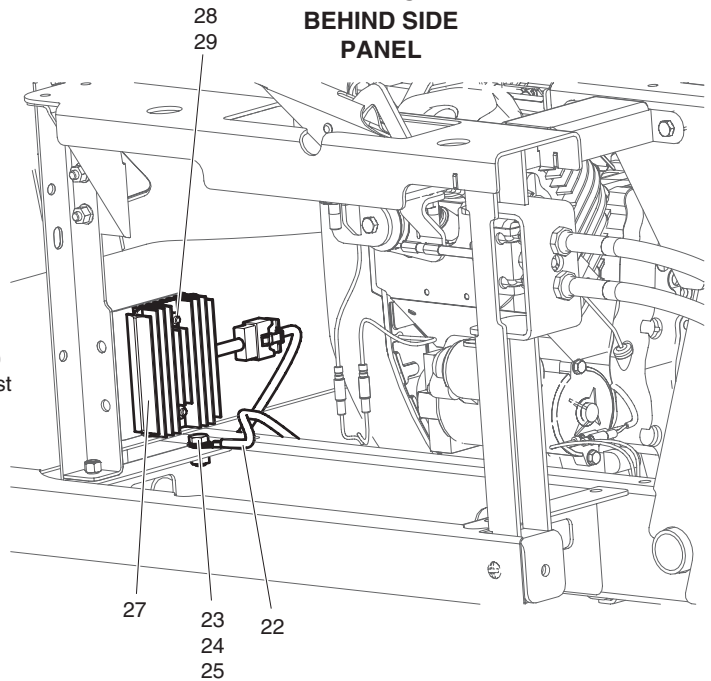
**UNDER  
COWL**



**DRIVER SIDE  
BEHIND SIDE  
PANEL**



**DRIVER SIDE  
BEHIND SIDE  
PANEL**



Ref Ele 19-3



# ELECTRICAL

Where applicable, THE USE OF NON UL PARTS WILL VOID ANY UL LISTING.

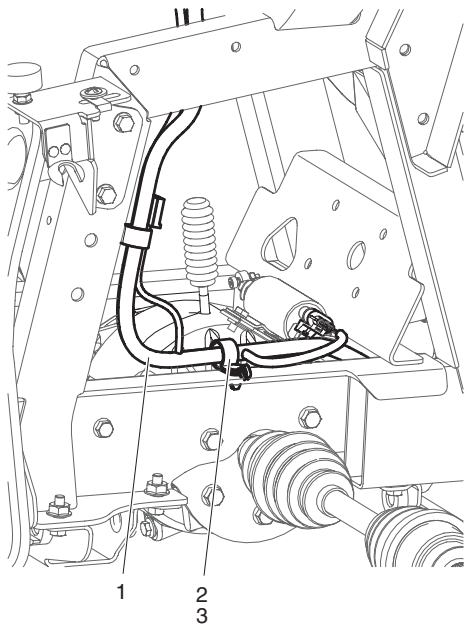
When ordering parts, please specify the model and serial number of the product.

\* Indicates a component that is not available as an individual part.

G\*\* Indicates consult Customer Service Department for additional information.

ITEM	PART NO.	1 2 3 4 5	DESCRIPTION	QTY.
1	<u>74956-G01</u>		BATTERY .....	1
2	<u>74959-G01</u>		SCREW, 5/16 - 18 X 1" LG.....	2
3	<u>00993-G01</u>		LOCK WASHER, 5/16" (SILICON BRONZE).....	2
4	<u>00994-G01</u>		NUT, 5/16 - 18 (SILICON BRONZE) .....	2
5	<u>35493-G01</u>		LABEL (BATTERY DISPOSAL - CE) .....	1
6	<u>74957-G01</u>		BATTERY TRAY .....	1
7	<u>00438-G8</u>		BOLT, 5/16 - 18 X 1" LG .....	2
8	00272-G4		BOLT, 5/16 - 18 X 2 1/2" LG .....	1
9	<u>00571-G2</u>		WASHER, 5/16" .....	1
10	<u>800697</u>		LOCK NUT, 5/16 - 18 .....	3
11	<u>74958-G01</u>		BATTERY RETAINER .....	1
12	<u>00438-G8</u>		BOLT, 5/16 - 18 X 1" LG .....	2
13	<u>00642-G8</u>		WASHER, 5/16" .....	2
14	11098-G6		LOCK NUT, 5/16 - 18 .....	2
15				
16	<u>25972-G144</u>		6 GA WIRE (BLACK 94") (B+ / SOL) .....	1
17				
18	<u>25972-G145</u>		6 GA WIRE (BLACK 20") (B- / GRD) .....	1
19	<u>00438-G8</u>		BOLT, 5/16 - 18 X 1" LG .....	1
20	<u>800697</u>		LOCK NUT, 5/16 - 18 .....	1
21				
22	<u>25972-G146</u>		6 GA WIRE (BLACK 26") (GRD / ENG) .....	1
23	<u>00426-G6</u>		BOLT, 3/8 - 16 X 3/4" LG .....	1
24	<u>00560-G1</u>		WASHER, 3/8" .....	1
25	<u>800698</u>		LOCK NUT, 3/8 - 16 .....	1
26				
27	<u>72927-G01</u>		VOLTAGE REGULATOR.....	1
28	00414-G8		BOLT, 1/4 - 20 X 1" LG .....	2
29	<u>14390-G4</u>		LOCK NUT, 1/4 - 20 .....	2
30	<u>31539-G1</u>		WIRE TIE .....	1

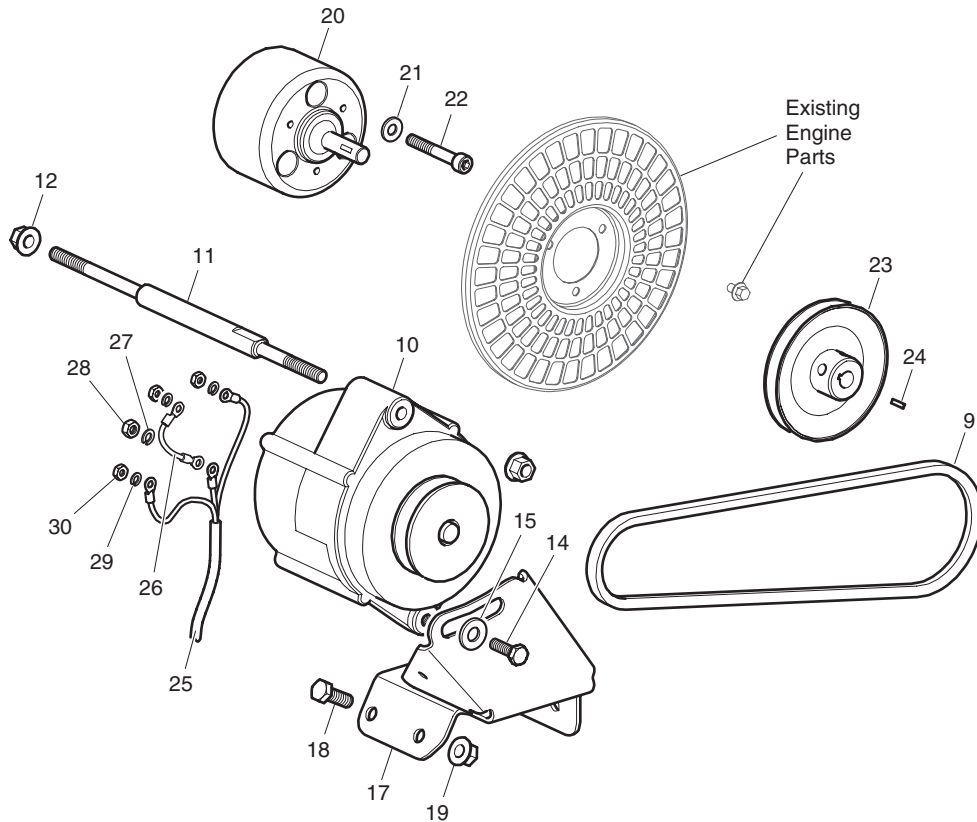
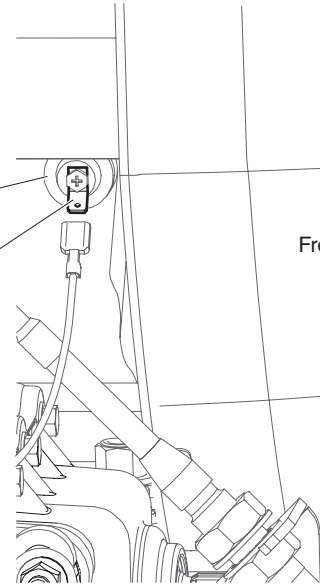
# ELECTRICAL



Oil Pressure  
Switch Mounted  
On Passenger  
Side Of Engine

6

Front of Vehicle



Ref Ele 19-4

# ELECTRICAL

Where applicable, THE USE OF NON UL PARTS WILL VOID ANY UL LISTING.

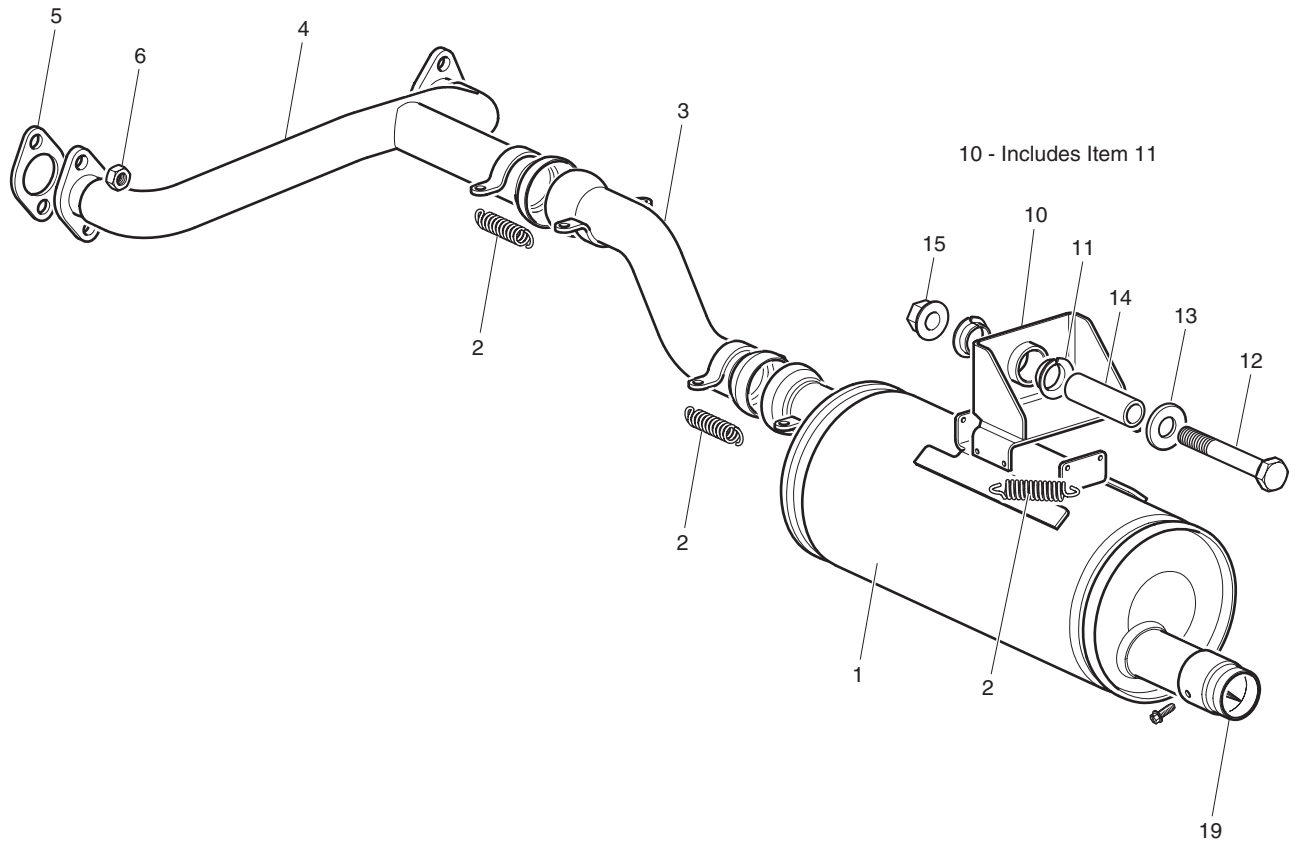
When ordering parts, please specify the model and serial number of the product.

\* Indicates a component that is not available as an individual part.

G\*\* Indicates consult Customer Service Department for additional information.

ITEM	PART NO.	1 2 3 4 5	DESCRIPTION	QTY.
1	<u>73989-G01</u>		WIRE HARNESS.....	1
2	<u>73864-G01</u>		CLAMP, 1/2" .....	7
3	<u>73864-G02</u>		CLAMP, 3/4" .....	12
4				
5				
6	<u>12914-G1</u>		PUSH ON MALE TERMINAL .....	1
7				
8				
9	<u>73561-G01</u>		ALTERNATOR BELT .....	1
10	<u>893633</u>		ALTERNATOR.....	1
11	<u>73557-G01</u>		ALTERNATOR MOUNTING SHAFT .....	1
12	<u>800698</u>		LOCK NUT, 3/8 - 16 .....	2
13				
14	<u>00438-G8</u>		BOLT, 5/16 - 18 X 1" LG .....	1
15	<u>00571-G2</u>		WASHER, 5/16" .....	1
16				
17	<u>73556-G01</u>		ALTERNATOR BRACKET.....	1
18	<u>00426-G8</u>		BOLT, 3/8 - 16 X 1" LG .....	4
19	<u>800698</u>		LOCK NUT, 3/8 - 16 .....	4
20	<u>73558-G01</u>		PTO SHAFT .....	1
21	<u>01120-G01</u>		WASHER, M8.....	3
22	<u>01119-G01</u>		BOLT, M8 X 1.25 X 18MM LG .....	3
23	<u>842996</u>		PULLEY.....	1
24	2702249		WOODRUFF KEY .....	1
25	<u>73973-G01</u>		WIRE HARNESS (ALTERNATOR).....	1
26	<u>25977-G102</u>		16 GA WIRE (BLACK 3") .....	1
27	<u>00565-G7</u>		LOCK WASHER, 1/4" .....	1
28	<u>00532-G1</u>		NUT, 1/4 - 20 .....	1
29	<u>00565-G5</u>		LOCK WASHER, #10 .....	3
30	<u>00526-G4</u>		NUT, #10 - 32 .....	3

# EXHAUST



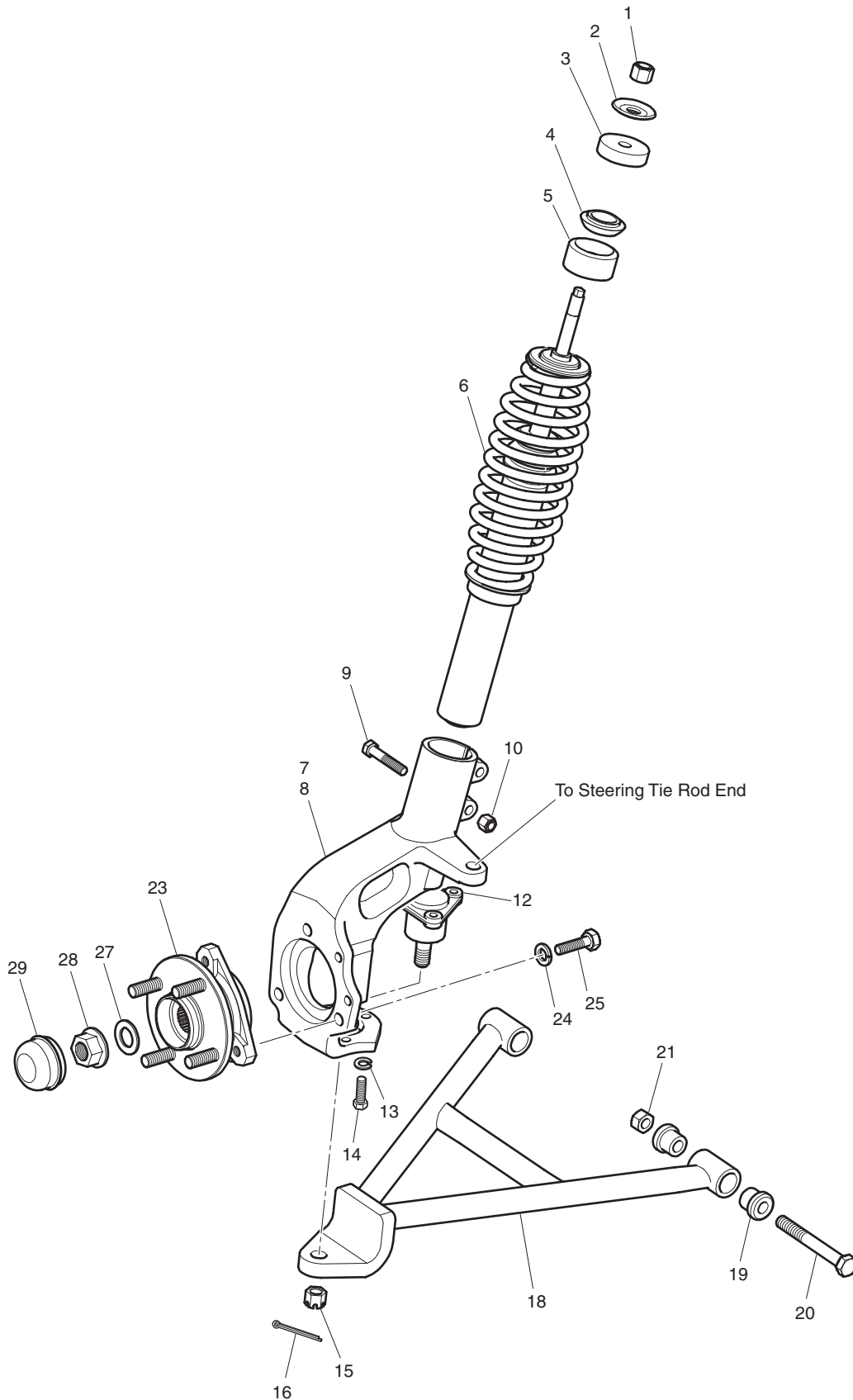
Ref Exh 19

# EXHAUST

Where applicable, THE USE OF NON UL PARTS WILL VOID ANY UL LISTING.  
 When ordering parts, please specify the model and serial number of the product.  
 \* Indicates a component that is not available as an individual part.  
 G\*\* Indicates consult Customer Service Department for additional information.

ITEM	PART NO.	1 2 3 4 5	DESCRIPTION	QTY.
1	<u>73579-G01</u>		MUFFLER .....	1
2	<u>73554-G01</u>		SPRING.....	8
3	<u>73628-G01</u>		EXHAUST PIPE .....	1
4	<u>73627-G01</u>		EXHAUST MANIFOLD.....	1
5	<u>73860-G01</u>		GASKET .....	2
6	94050-08000		NUT .....	4
7				
8				
9				
10	<u>72991-G01</u>		MOUNTING BRACKET (INCLUDES ITEM 11) .....	1
11	*		BUSHING.....	2
12	<u>311398</u>		BOLT, 1/2 - 13 X 3 1/2" LG .....	1
13	<u>00643-G3</u>		WASHER, 1/2" .....	1
14	<u>73993-G01</u>		INNER PIVOT TUBE .....	1
15	<u>800700</u>		LOCK NUT, 1/2 - 13 .....	1
16				
17				
18				
19	<u>72986-G01</u>		SPARK ARRESTER (SCREW INCLUDED).....	1

# FRONT SUSPENSION



Ref Esp 19

# FRONT SUSPENSION

Where applicable, THE USE OF NON UL PARTS WILL VOID ANY UL LISTING.

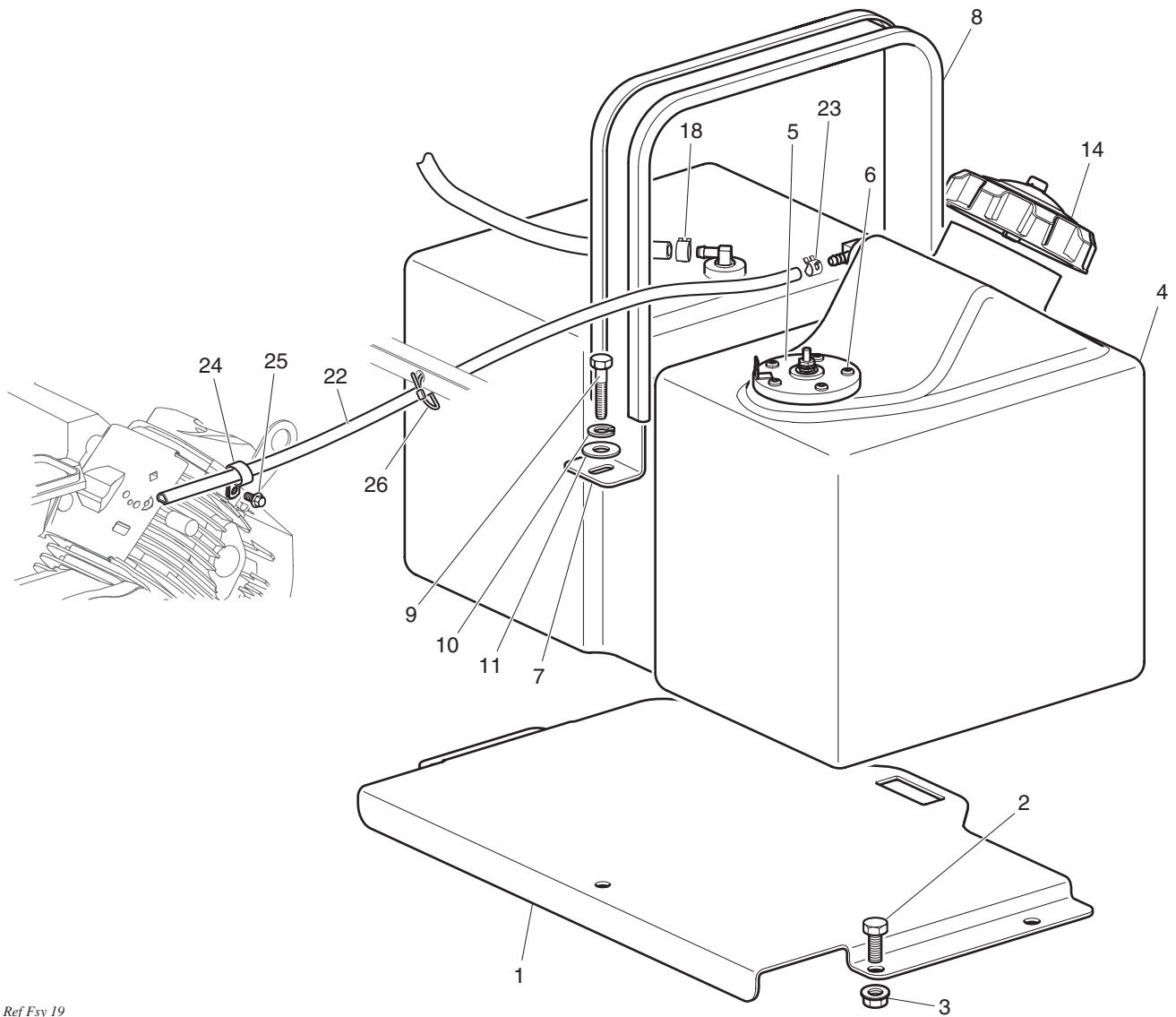
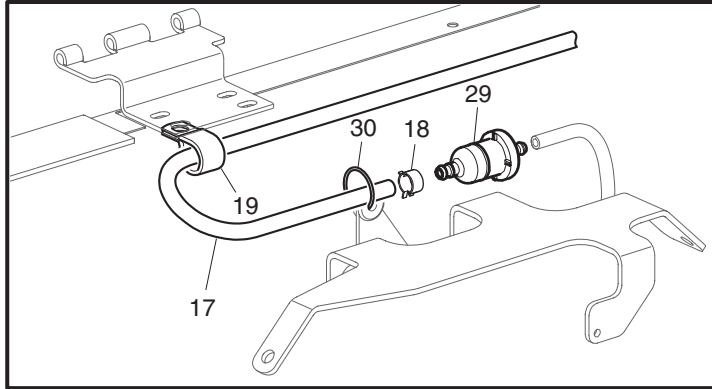
When ordering parts, please specify the model and serial number of the product.

\* Indicates a component that is not available as an individual part.

G\*\* Indicates consult Customer Service Department for additional information.

ITEM	PART NO.	1 2 3 4 5	DESCRIPTION	QTY.
1	<u>11098-G8</u>		LOCK NUT, 1/2 - 20 .....	2
2	<u>73611-G01</u>		STRUT WASHER .....	2
3	<u>73615-G01</u>		STRUT BUSHING .....	2
4	<u>73614-G01</u>		SPHERICAL BALL .....	2
5	<u>73612-G01</u>		BALL SEAT .....	2
6	<u>73613-G01</u>		STRUT .....	2
7	<u>73623-G02</u>		KNUCKLE (DRIVER SIDE) .....	1
8	<u>73623-G01</u>		KNUCKLE (PASSENGER SIDE).....	1
9	<u>00427-G8</u>		BOLT, 3/8 - 16 X 2" LG .....	4
10	<u>11098-G4</u>		LOCK NUT, 3/8 - 16 .....	4
11				
12	<u>73786-G01</u>		BALL JOINT .....	2
13	<u>00664-G8</u>		LOCK WASHER, 5/16" (STAINLESS STEEL) .....	6
14	<u>01055-G01</u>		BOLT, M8 - 1.25 X 30MM LG .....	6
15	<u>73814-G01</u>		CASTLE NUT .....	2
16	<u>00798-G1</u>		COTTER PIN, 1/16" X 1" LG .....	2
17				
18	<u>73778-G01</u>		CONTROL ARM.....	2
19	<u>70291-G01</u>		FLANGED BUSHING .....	8
20	<u>316913</u>		SCREW, 1/2 - 13 X 4" LG.....	4
21	<u>00557-G1</u>		LOCK NUT, 1/2 - 13 .....	4
22				
23	<u>72839-G01</u>		BEARING .....	2
24	<u>00566-G3</u>		LOCK WASHER, 1/2" .....	6
25	<u>01066-G01</u>		BOLT, M12 - 1.75 X 40MM LG .....	6
26				
27	<u>21830-G1</u>		OUTER BRAKE WASHER .....	2
28	<u>800973</u>		LOCK NUT, 3/4 - 16 .....	2
29	<u>12091-G2</u>		SPINDLE CAP.....	2
30				

# FUEL SYSTEM



Ref Fsy 19

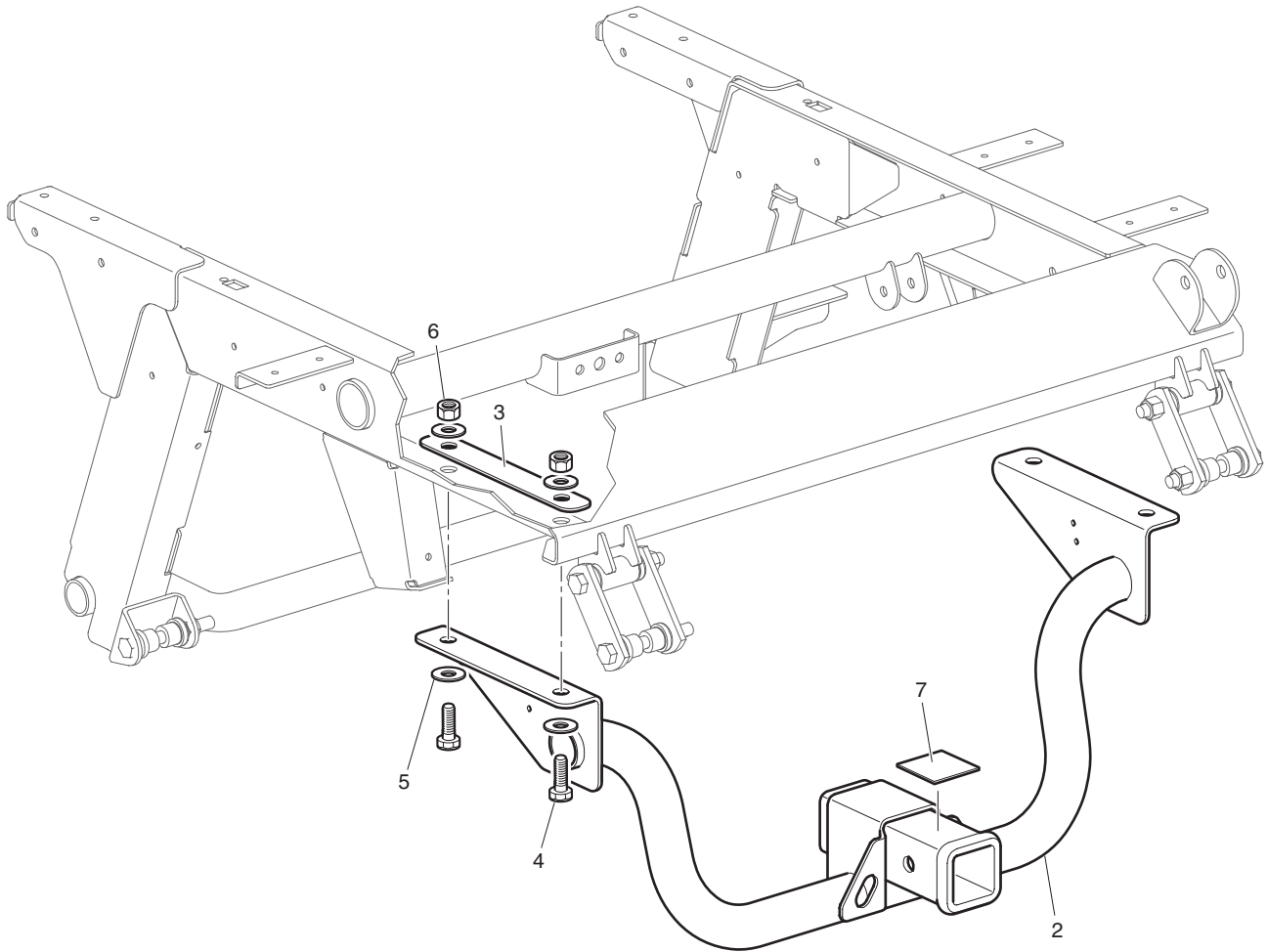


# FUEL SYSTEM

Where applicable, THE USE OF NON UL PARTS WILL VOID ANY UL LISTING.  
 When ordering parts, please specify the model and serial number of the product.  
 \* Indicates a component that is not available as an individual part.  
 G\*\* Indicates consult Customer Service Department for additional information.

ITEM	PART NO.	1 2 3 4 5	DESCRIPTION	QTY.
1	<u>73827-G01</u>		PLATE FUEL TANK.....	1
2	<u>00426-G6</u>		BOLT, 3/8 - 16 X 3/4" LG .....	3
3	<u>800698</u>		LOCK NUT, 3/8 - 16 .....	3
4	<u>74759-G01</u>		FUEL TANK ASSY .....	1
5	<u>20048-G6</u>		FUEL LEVEL SENDER .....	1
6	<u>72232-G01</u>		SCREW, #10 - 32 x 3/4" LG.....	5
7	<u>73773-G01</u>		FUEL TANK MOUNTING STRAP .....	1
8	<u>14643-G5</u>		VINYL EXTRUSION - 2FT .....	1
9	<u>00439-G1</u>		BOLT, 5/16 - 18 X 1 1/8" LG .....	1
10	<u>00565-G8</u>		LOCK WASHER, 5/16".....	1
11	<u>00642-G8</u>		WASHER, 5/16" .....	1
12				
13				
14	<u>73815-G01</u>		FUEL CAP.....	1
15				
16				
17	<u>27183-G01</u>		TUBING, 1/4" I.D. X 1/2" O.D. (BULK) .....	AR
18	<u>18292-G1</u>		CLAMP .....	2
19	<u>11845-G3</u>		INSULATED CABLE CLAMP, 11/16" .....	2
20				
21				
22	<u>28839-G01</u>		TUBING, 3/16" I.D. X 3/8" O.D. (BULK) .....	AR
23	<u>18292-G3</u>		CLAMP, 3/8" .....	2
24	<u>11845-G3</u>		INSULATED CABLE CLAMP, 11/16" .....	1
25	<u>73875-G01</u>		BOLT, M8 - 1.25 x 20MM LG .....	1
26	<u>17618-G1</u>		WIRE TIE .....	1
27				
28				
29	<u>72999-G01</u>		FUEL FILTER .....	1
30	<u>17618-G1</u>		WIRE TIE .....	1

# HITCH



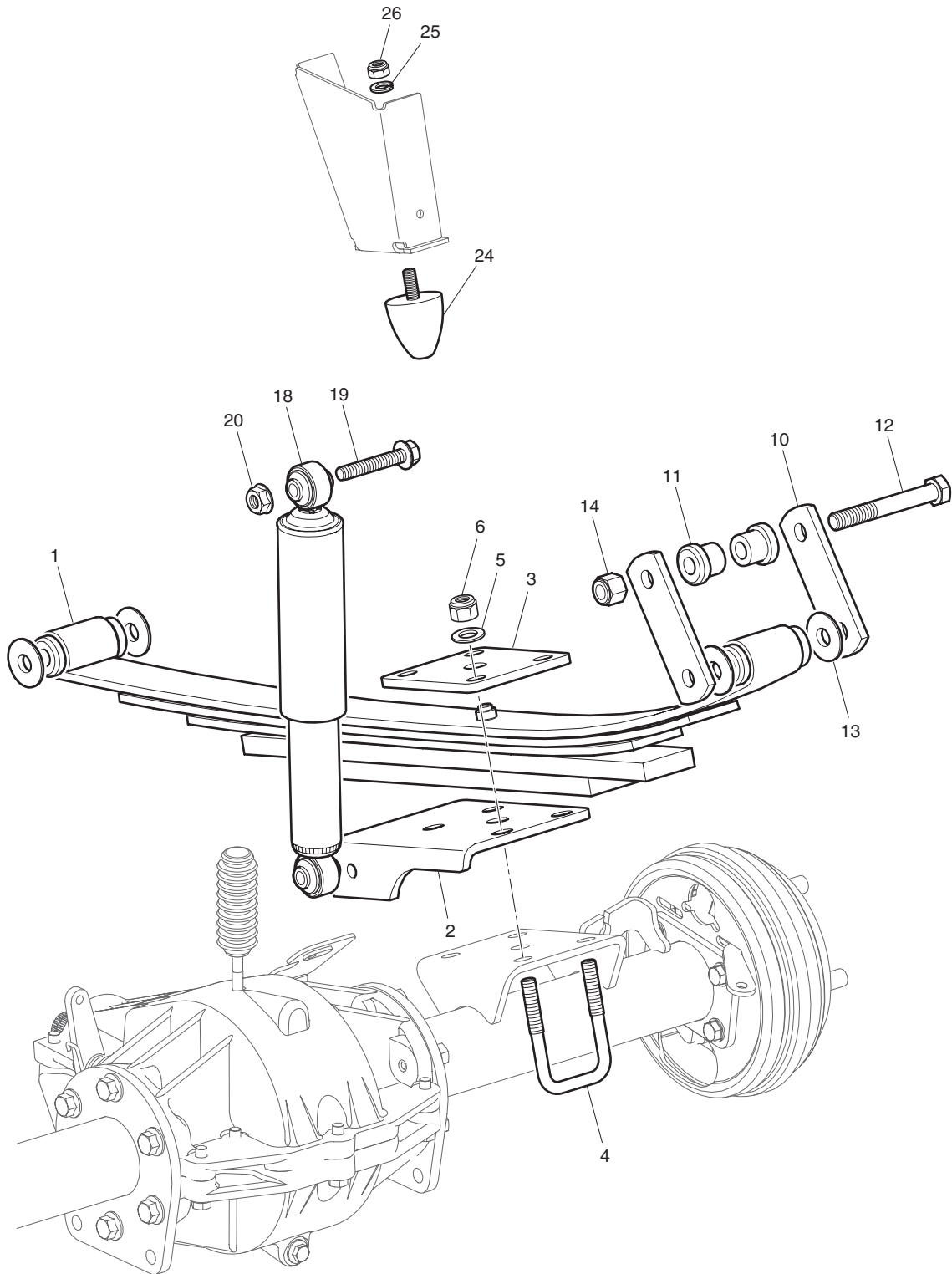
Ref Hit 19

# HITCH

Where applicable, THE USE OF NON UL PARTS WILL VOID ANY UL LISTING.  
 When ordering parts, please specify the model and serial number of the product.  
 \* Indicates a component that is not available as an individual part.  
 G\*\* Indicates consult Customer Service Department for additional information.

ITEM	PART NO.	1 2 3 4 5	DESCRIPTION	QTY.
1	74989-G02		REAR HITCH KIT (INCLUDES ITEMS 2 - 6) .....	1
2	<u>74987-G01</u>		REAR HITCH .....	1
3	<u>74988-G01</u>		BACKING PLATE .....	2
4	00403-G4		SCREW, 1/2 - 13 X 1 1/2" LG .....	4
5	<u>00643-G3</u>		WASHER, 1/2" .....	8
6	<u>14390-G6</u>		LOCK NUT, 1/2 - 13 .....	4
7	<u>74991-G01</u>		LABEL (HITCH CAPACITY) .....	1

# REAR SUSPENSION



Ref Rsp 19

# REAR SUSPENSION

Where applicable, THE USE OF NON UL PARTS WILL VOID ANY UL LISTING.

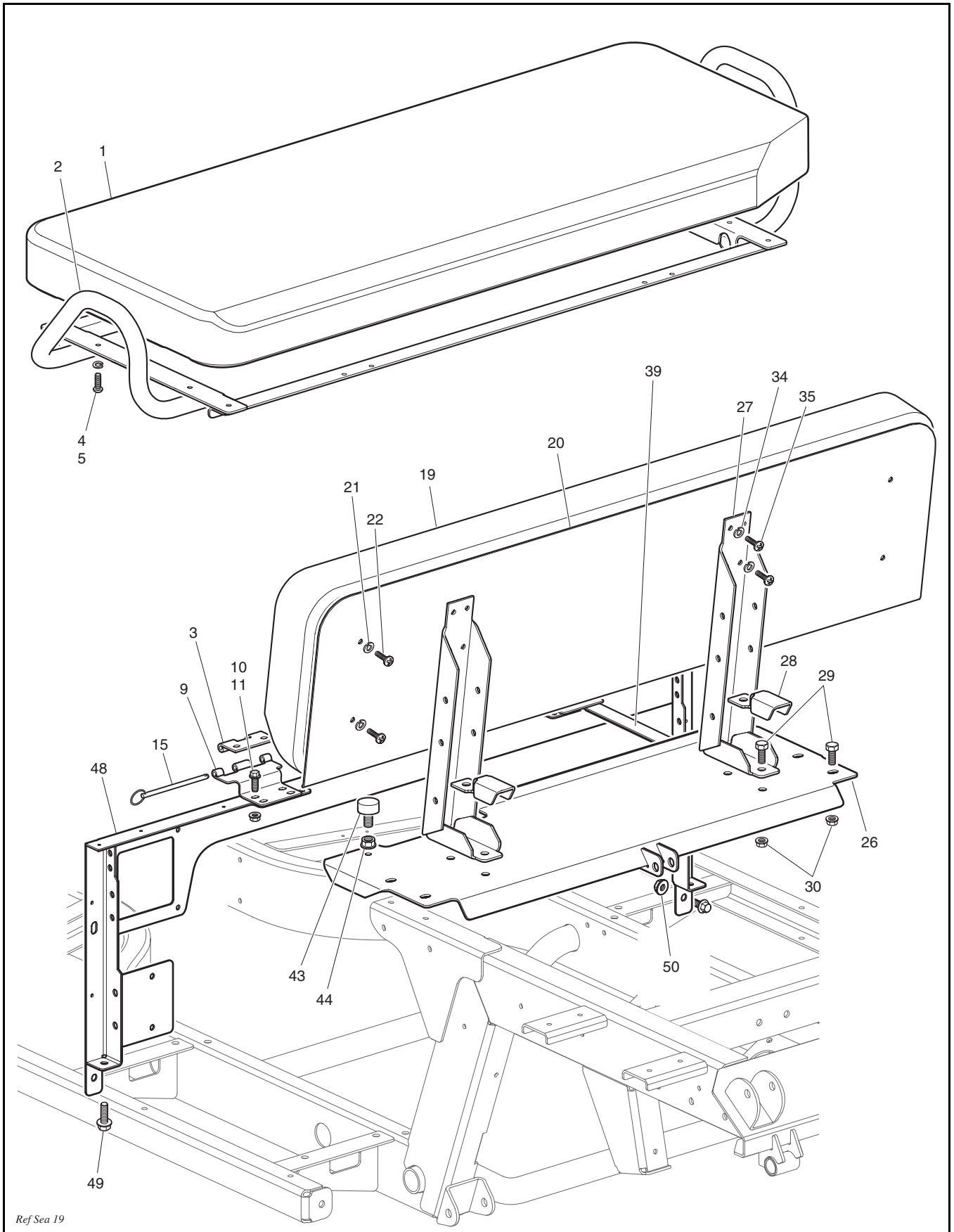
When ordering parts, please specify the model and serial number of the product.

\* Indicates a component that is not available as an individual part.

G\*\* Indicates consult Customer Service Department for additional information.

ITEM	PART NO.	1 2 3 4 5	DESCRIPTION	QTY.
1	73802-G01		LEAF SPRING, 265/500 LB.....	2
2	<u>73896-G01</u>		SHOCK MOUNTING BRACKET .....	2
3	<u>73897-G01</u>		LEAF SPRING PLATE.....	2
4	<u>73900-G01</u>		U-BOLT, 3/8-16.....	4
5	<u>00560-G1</u>		WASHER, 3/8" .....	8
6	<u>11098-G5</u>		LOCK NUT, 3/8 - 16 .....	8
7				
8				
9				
10	<u>73898-G01</u>		LEAF SPRING SHACKLE .....	4
11	<u>70291-G01</u>		FLANGED BUSHING .....	12
12	<u>316913</u>		SCREW, 1/2 - 13 X 4" LG.....	6
13	<u>00643-G3</u>		WASHER, 1/2" .....	8
14	<u>14390-G6</u>		LOCK NUT, 1/2 - 13 .....	6
15				
16				
17				
18	<u>73805-G01</u>		SHOCK ABSORBER, REAR.....	2
19	<u>13437-G8</u>		LOCK SCREW, 3/8 - 16 X 2" LG.....	4
20	<u>800698</u>		LOCK NUT, 3/8 - 16 .....	4
21				
22				
23				
24	<u>70492-G01</u>		RUBBER BUMPER .....	2
25	<u>00968-G01</u>		LOCK WASHER, 10MM.....	2
26	<u>00974-G01</u>		NUT, M10 X 1.5.....	2

# SEAT



Ref Sea 19

Where applicable, THE USE OF NON UL PARTS WILL VOID ANY UL LISTING.

When ordering parts, please specify the model and serial number of the product.

\* Indicates a component that is not available as an individual part.

G\*\* Indicates consult Customer Service Department for additional information.

ITEM	PART NO.	1 2 3 4 5	DESCRIPTION	QTY.
1	<u>72992-G01</u>		SEAT BOTTOM .....	1
2	<u>73648-G01</u>		SEAT BOTTOM FRAME .....	1
3	<u>34197-G02</u>		HINGE .....	2
4	<u>00664-G7</u>		LOCK WASHER, 1/4" (STAINLESS STEEL) .....	8
5	<u>16705-G1</u>		SCREW, 1/4 - 20 X 1" LG (STAINLESS STEEL) .....	8
6				
7				
8				
9	<u>35914-G01</u>		HOUSING HALF HINGE .....	2
10	<u>71204-G01</u>		BOLT, 1/4 - 20 X 7/8" LG .....	8
11	<u>800706</u>		LOCK NUT, 1/4 - 20 .....	8
12				
13				
14				
15	<u>35928-G01</u>		HINGE PIN .....	2
16				
17				
18				
19	<u>72757-G01</u>		SEAT BACK .....	1
20	<u>73651-G01</u>		SEAT BACK COVER PLATE.....	1
21	<u>00664-G7</u>		LOCK WASHER, 1/4" (STAINLESS STEEL) .....	4
22	<u>16705-G1</u>		SCREW, 1/4 - 20 X 1" LG (STAINLESS STEEL) .....	4
23				
24				
25				
26	<u>73909-G01</u>		SEAT CROSSMEMBER.....	1
27	<u>75900-G01</u>		SEAT BACK SUPPORT BRACKET .....	2
28	<u>74947-G01</u>		BUMPER REST .....	2
29	<u>00427-G2</u>		BOLT, 3/8 - 16 X 1 1/4" LG .....	8
30	<u>800698</u>		LOCK NUT, 3/8 - 16 .....	8

# SEAT

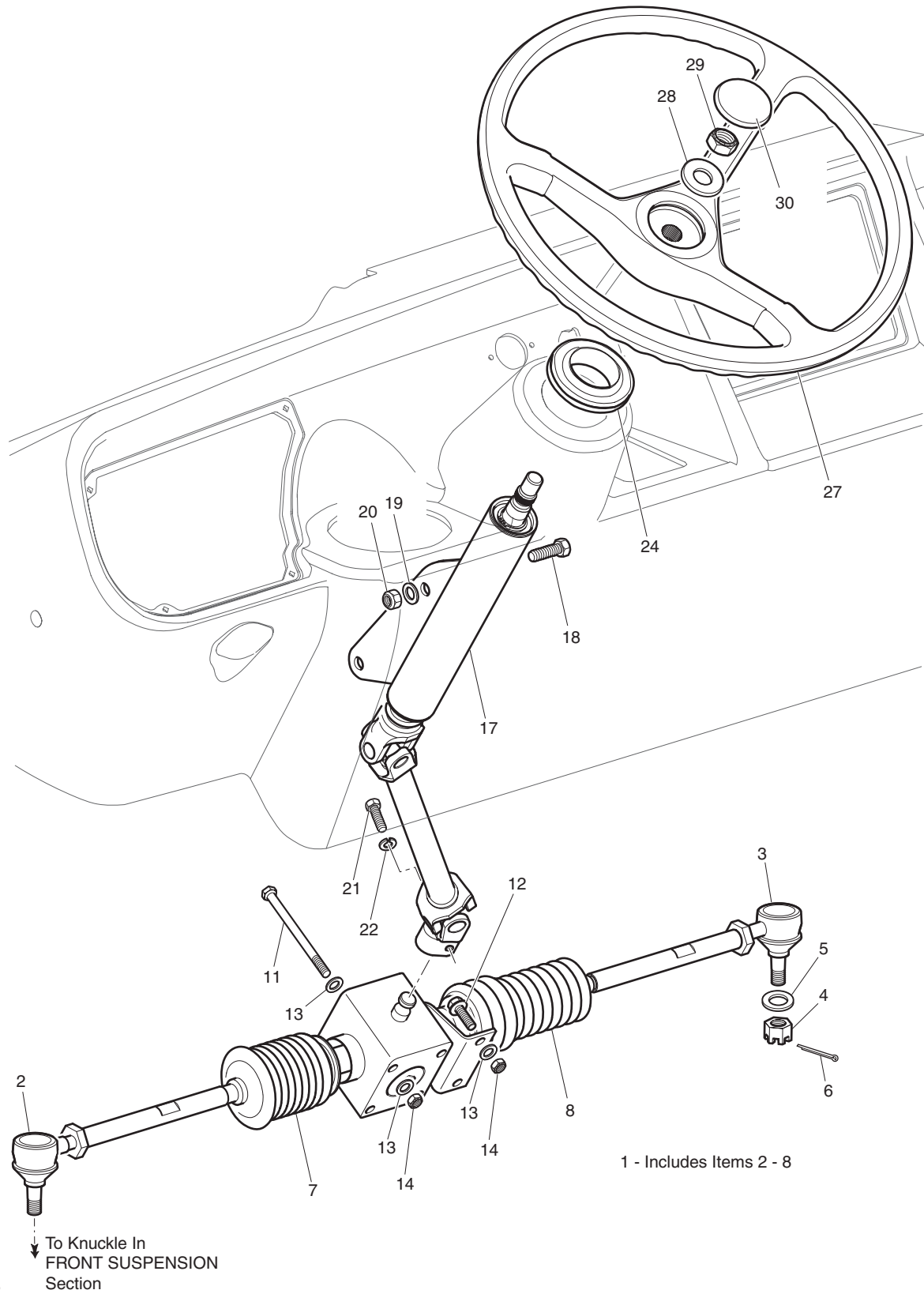
Where applicable, THE USE OF NON UL PARTS WILL VOID ANY UL LISTING.  
 When ordering parts, please specify the model and serial number of the product.  
 \* Indicates a component that is not available as an individual part.  
 G\*\* Indicates consult Customer Service Department for additional information.

ITEM	PART NO.	1 2 3 4 5	DESCRIPTION	QTY.
31				
32				
33				
34	<u>00664-G7</u>		LOCK WASHER, 1/4" (STAINLESS STEEL) .....	4
35	<u>16705-G1</u>		SCREW, 1/4 - 20 X 1" LG (STAINLESS STEEL) .....	4
36				
37				
38				
39	<u>73563-G01</u>		BRACE .....	1
40				
41				
42				
43	<u>70113-G01</u>		ADJUSTABLE BUMPER .....	2
44	<u>800697</u>		LOCK NUT, 5/16 - 18 .....	4
45				
46				
47				
48	<u>73677-G01</u>		SEAT FRAME .....	1
49	<u>00426-G6</u>		BOLT, 3/8 - 16 X 3/4" LG .....	4
50	<u>800698</u>		LOCK NUT, 3/8 - 16 .....	4





# STEERING



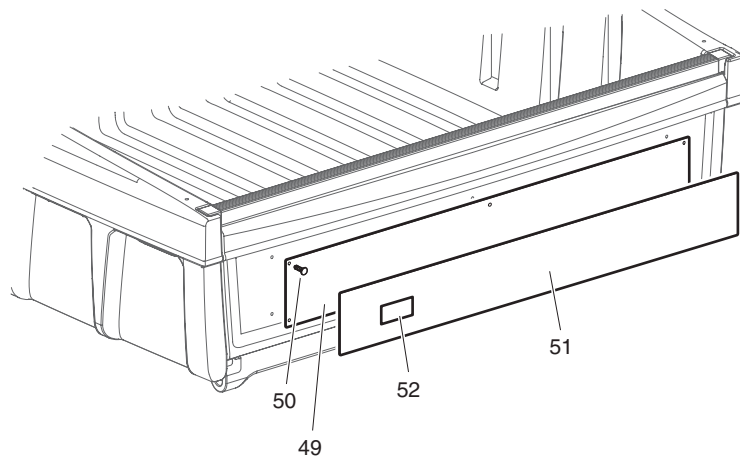
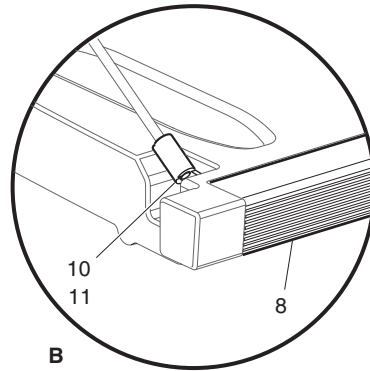
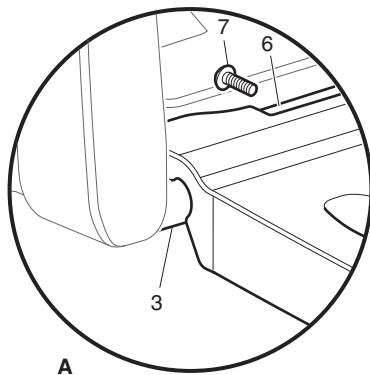
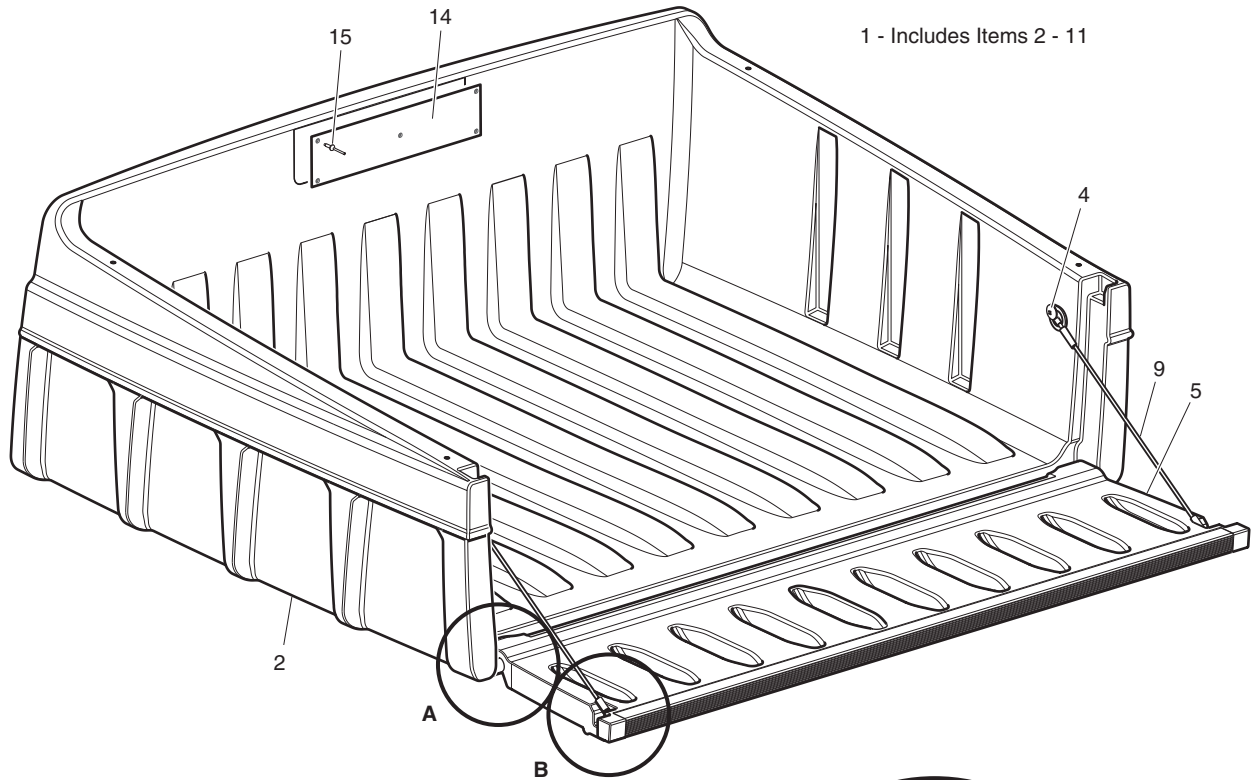
Ref Str 19

# STEERING

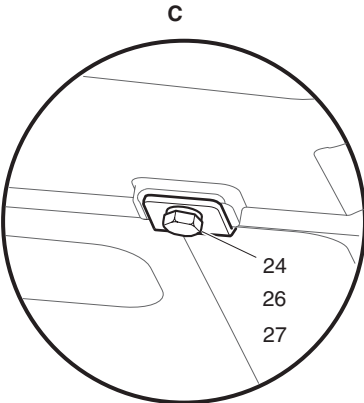
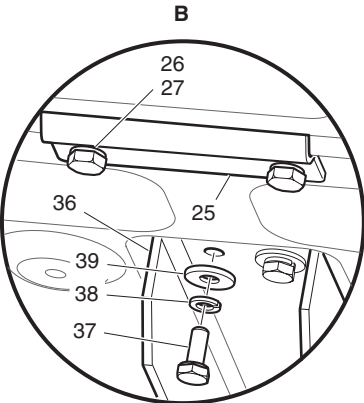
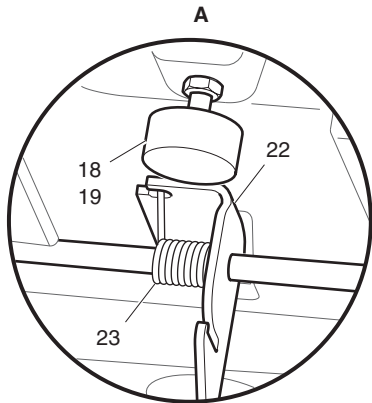
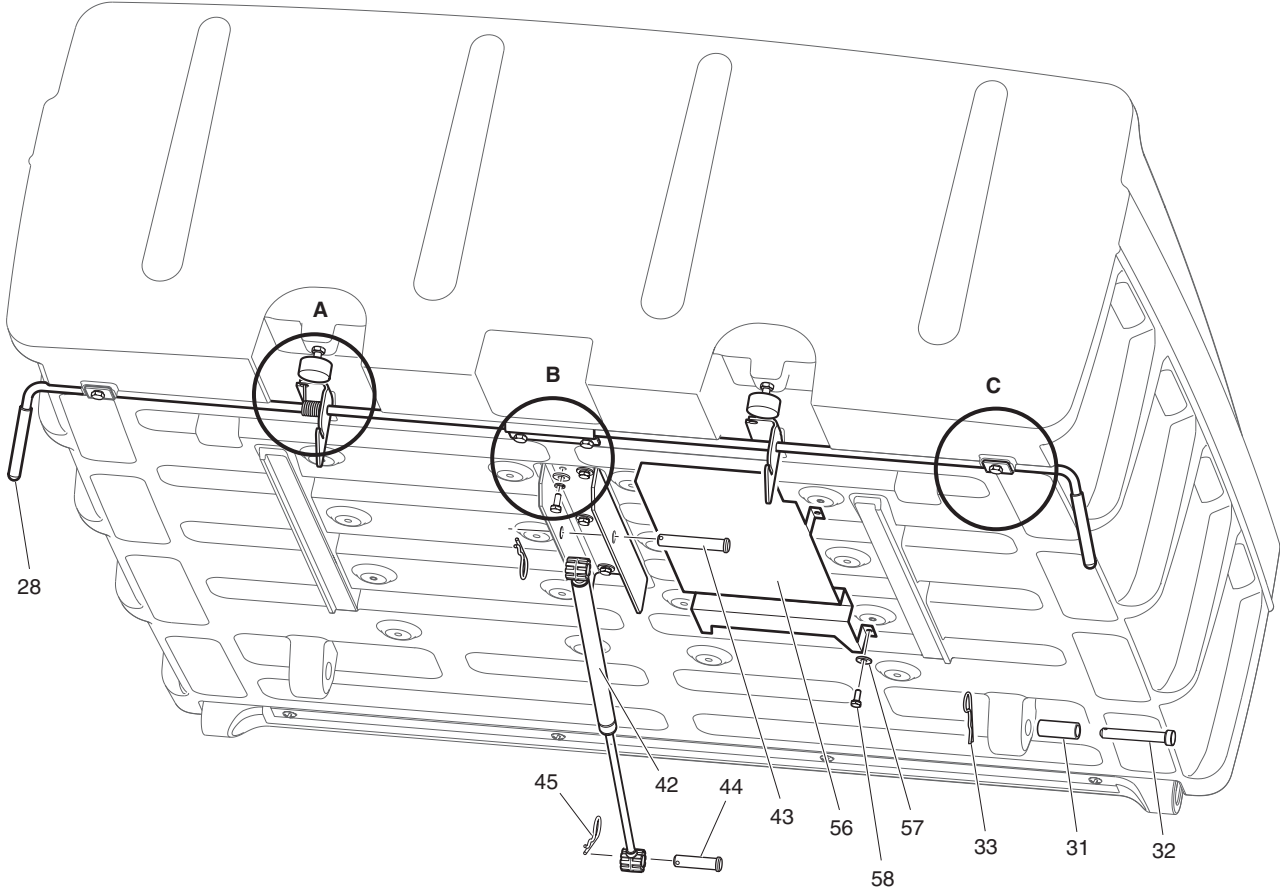
Where applicable, THE USE OF NON UL PARTS WILL VOID ANY UL LISTING.  
 When ordering parts, please specify the model and serial number of the product.  
 \* Indicates a component that is not available as an individual part.  
 G\*\* Indicates consult Customer Service Department for additional information.

ITEM	PART NO.	1 2 3 4 5	DESCRIPTION	QTY.
1	<u>73809-G01</u>		RACK & PINION ASSEMBLY (INCLUDES ITEMS 2 - 8).....	1
2	*		TIE ROD END (DRIVER SIDE) .....	1
3	*		TIE ROD END (PASSENGER SIDE).....	1
4	<u>73814-G02</u>		NUT, CASTLE M12 X 1.25.....	2
5	<u>00679-G3</u>		WASHER, 1/2" (STAINLESS STEEL).....	2
6	<u>00798-G1</u>		COTTER PIN, 1/16" X 1" .....	2
7	*		BOOT (DRIVER SIDE) .....	1
8	*		BOOT (PASSENGER SIDE).....	1
9				
10				
11	<u>00441-G8</u>		BOLT, 5/16 - 18 X 4" LG .....	2
12	<u>13437-G3</u>		LOCK SCREW, 5/16 - 18 X 1" LG.....	2
13	<u>00660-G8</u>		WASHER, 5/16" (STAINLESS STEEL) .....	6
14	11098-G6		LOCK NUT, 5/16 - 18 .....	4
15				
16				
17	<u>73807-G01</u>		STEERING COLUMN .....	1
18	<u>00426-G8</u>		BOLT, 3/8 - 16 X 1" LG .....	2
19	<u>00879-G1</u>		WASHER, 3/8" .....	2
20	<u>00891-G1</u>		LOCK NUT, 3/8 - 16 .....	2
21	<u>01055-G01</u>		BOLT, M8 X 1.25 X 30MM LG .....	1
22	<u>00565-G8</u>		LOCK WASHER, 5/16" .....	1
23				
24	<u>73637-G01</u>		BUSHING .....	1
25				
26				
27	<u>73808-G01</u>		STEERING WHEEL .....	1
28	<u>00560-G3</u>		WASHER, 1/2" .....	1
29	11098-G03		LOCK NUT, 1/2 - 20 .....	1
30	<u>73812-G01</u>		COVER, STEERING WHEEL .....	1

# TRUCK BED, PLASTIC



Ref Tbp 19-1



Ref Tbp 19-2

# TRUCK BED, PLASTIC

Where applicable, THE USE OF NON UL PARTS WILL VOID ANY UL LISTING.

When ordering parts, please specify the model and serial number of the product.

\* Indicates a component that is not available as an individual part.

G\*\* Indicates consult Customer Service Department for additional information.

ITEM	PART NO.	1 2 3 4 5	DESCRIPTION	QTY.
1	<u>73451-G01</u>		BED ASSEMBLY, 40" (INCLUDES ITEMS 2 -11).....	1
2	<u>73447-G01</u>		PLASTIC BED, 40" .....	1
3	<u>73454-G01</u>		PIVOT SHAFT .....	2
4	<u>73460-G01</u>		SHOULDER BOLT, 1/4 - 20 X 3/4" LG.....	2
5	<u>73448-G01</u>		TAILGATE .....	1
6	<u>73450-G01</u>		TAILGATE STIFFENER .....	1
7	<u>16705-G2</u>		SCREW, 1/4 - 20 X 5/8" LG (STAINLESS STEEL).....	4
8	<u>73449-G01</u>		TAILGATE PROTECTOR.....	1
9	<u>73455-G01</u>		TAILGATE CABLE .....	1
10	<u>71541-G01</u>		TAILGATE CABLE SPACER.....	2
11	<u>16705-G2</u>		SCREW, 1/4 - 20 X 5/8" LG (STAINLESS STEEL).....	2
12				
13				
14	<u>74821-G04</u>		LABEL (BED LOAD WARNING) .....	1
15	<u>71055-G01</u>		RIVET, 3/16" X 1" LG (ALUMINUM).....	5
16				
17				
18	<u>70113-G01</u>		ADJUSTABLE RUBBER BUMPER .....	2
19	<u>11027-G1</u>		LOCK NUT, 5/16 - 18 .....	2
20				
21				
22	<u>73905-G01</u>		BED LATCH .....	1
23	<u>71538-G01</u>		LATCH TORSION SPRING.....	1
24	<u>71099-G02</u>		KEEPER PLATE.....	2
25	<u>71477-G02</u>		RETAINER BRACKET.....	1
26	<u>00414-G5</u>		BOLT, 1/4 - 20 X 5/8" LG .....	4
27	<u>00565-G7</u>		LOCK WASHER, 1/4" .....	4
28	<u>71704-G01</u>		HANDLE GRIP .....	2
29				
30				

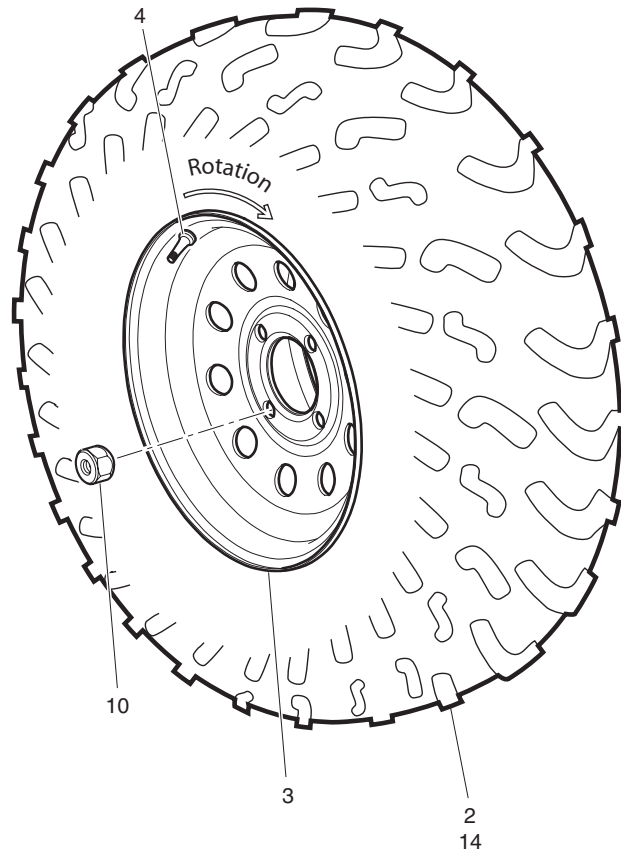
# TRUCK BED, PLASTIC

Where applicable, THE USE OF NON UL PARTS WILL VOID ANY UL LISTING.  
 When ordering parts, please specify the model and serial number of the product.  
 \* Indicates a component that is not available as an individual part.  
 G\*\* Indicates consult Customer Service Department for additional information.

ITEM	PART NO.	1 2 3 4 5	DESCRIPTION	QTY.
31	<u>73903-G01</u>		BUSHING .....	2
32	<u>73904-G01</u>		CLEVIS PIN.....	2
33	<u>21683-G1</u>		COTTER PIN, 15/32" X 2 13/16" LG .....	2
34				
35				
36	<u>73907-G01</u>		SPRING CHANNEL .....	1
37	<u>00414-G5</u>		SCREW, 1/4 - 20 X 5/8" LG.....	6
38	<u>00565-G7</u>		LOCK WASHER, 1/4" .....	6
39	<u>00642-G7</u>		WASHER, 1/4" .....	6
40				
41				
42	<u>71537-G02</u>		GAS SPRING .....	2
43	<u>14443-G10</u>		CLEVIS PIN, 1/2" X 2 27/32" LG .....	1
44	<u>14443-G11</u>		CLEVIS PIN, 1/2" X 1 3/4" LG .....	1
45	<u>21683-G1</u>		COTTER PIN, 15/32" X 2 13/16" LG .....	2
46				
47				
48				
49	<u>74925-G01</u>		PLATE .....	1
50	<u>16816-G1</u>		RATCHET FASTENER, 1/4" X 9/16" LG .....	6
51	<u>28927-G01</u>		LABEL (ST E-Z-GO).....	1
52	<u>73957-G01</u>		LABEL (ST 4X4).....	1
53				
54				
55				
56	<u>73609-G01</u>		HEAT SHIELD .....	1
57	<u>00642-G7</u>		WASHER, 1/4" .....	2
58	<u>01118-G01</u>		BOLT, 1/4 - 20 X 5/8" LG .....	2

# WHEELS & TIRES

- 1 - Includes Items 2, 3, 4
- 7 - Includes Items 2, 3, 4
- 13 - Includes Items 14, 3, 4



Ref Whl 19



# WHEELS & TIRES

Where applicable, THE USE OF NON UL PARTS WILL VOID ANY UL LISTING.  
 When ordering parts, please specify the model and serial number of the product.  
 \* Indicates a component that is not available as an individual part.  
 G\*\* Indicates consult Customer Service Department for additional information.

ITEM	PART NO.	1 2 3 4 5	DESCRIPTION	QTY.
1	72941-G**		TIRE AND WHEEL ASSEMBLY (DRIVER SIDE) (INCLUDES ITEMS 2 - 4).....	2
2	<u>72941-G01</u>		TIRE (AT489), 25 X 11 - 12.....	1
3	73895-G**		WHEEL, 10" X 6" .....	1
4	<u>11657-G1</u>		VALVE STEM.....	1
5				
6				
7	72941-G**		TIRE AND WHEEL ASSY. (PASSENGER SIDE) (INCLUDES ITEMS 2 - 4).....	2
8				
9				
10	<u>14723-G1</u>		LUG NUT, 1/2 - 20.....	16
11				
12				
13	<u>72994-G02</u>		TIRE AND WHEEL ASSEMBLY (INCLUDES ITEMS 14, 3, 4).....	4
14	<u>72994-G01</u>		TIRE (TURF CTR TREAD), 25 X 11 - 12.....	1

# WHEELS & TIRES

## **SPECIALTY PRODUCTS**

# **SPECIALTY PRODUCTS**

## SPECIALTY PRODUCTS

<b>SPECIAL TOOLS</b>	<b>PART NO.</b>
CLUTCH PULLER (DRIVE) .....	19779-G2
CURRENT INDICATOR .....	16489-G2
DIGITAL MULTI-METER .....	27481-G01
COMPRESSION TESTER.....	72524-G01
FEELER GAUGE .....	72525-G01
TACHOMETER .....	72526-G01

<b>ENGINE OIL</b>	<b>PART NO.</b>
4 CYCLE ENGINE OIL, 5 GALLON (19 LITER) .....	25730-G03
4 CYCLE ENGINE OIL, 12 QUART CASE .....	25730-G04
4 CYCLE ENGINE OIL, 1 QUART BOTTLE (950 ML) .....	25730-G06

<b>TOUCH UP PAINT</b>	<b>PART NO.</b>
PEN 3 OUNCE (89 ML) - RECON GREEN .....	28432-G**
PEN 3 OUNCE (89 ML) - CAMOUFLAGE PAINT (THREE PENS) .....	75831-G01
AEROSOL 12 OUNCE (360 ML) - RECON GREEN .....	28140-G**

<b>MAINTENANCE PRODUCTS</b>	<b>PART NO.</b>
PLEXUS® CLEANER, 7 OUNCE (210 ML) (FOR WINDSHIELDS) .....	28433-G01
PLEXUS® CLEANER, 13 OUNCE (380 ML) (FOR WINDSHIELDS) .....	28433-G02
BATTERY PROTECTOR, 14 OUNCE (410 ML) SPRAY .....	75500-G01
CARBURETOR & CHOKE CLEANER, 15 OUNCE (440 ML) SPRAY .....	75501-G01
WHITE LITHIUM GREASE, 14 OUNCE (410 ML) SPRAY .....	75502-G01
PENETRANT/LUBRICANT, 15 OUNCE (440 ML) SPRAY .....	75503-G01
MULTI-PURPOSE CLEANER & DEGREASER, 14 OUNCE (410 ML) SPRAY .....	75504-G01
MULTI-PURPOSE HAND CLEANER, 32 OUNCE (950 ML) LIQUID .....	75505-G01
BATTERY CLEANER, 32 OUNCE (950 ML) WITH TRIGGER SPRAYER .....	75506-G01
BIO-DEGRADABLE CLEANER, 32 OUNCE (950 ML) WITH TRIGGER SPRAYER.....	75507-G01
MULTI-PURPOSE VALUE PACK.....	75508-G01
<ul style="list-style-type: none"> <li>• BATTERY PROTECTOR, 4 OUNCE (120 ML) SPRAY</li> <li>• PENETRANT/LUBRICANT, 4 OUNCE (120 ML) SPRAY</li> <li>• WHITE LITHIUM GREASE, 4 OUNCE (120 ML) SPRAY</li> <li>• CARBURETOR &amp; CHOKE CLEANER, 4 OUNCE (120 ML) SPRAY</li> </ul>	

## **OPTIONS/ACCESSORIES**

# **OPTIONS/ACCESSORIES**

## OPTIONS/ACCESSORIES

ITEM	KIT NO.	SECTION
HIGH OUTPUT ALTERNATOR KIT .....	72979-G01 .....	Electrical
FRONT BRUSH GUARD KIT .....	74982-G01 .....	Body
SIDE BRUSH GUARD KIT .....	74983-G01 .....	Body
REAR HITCH KIT .....	74989-G02 .....	Hitch
WINCH KIT .....	72274-G01	
HIGH ALTITUDE CONVERSION KIT (5-8K FT) .....	72971-G01	
HIGH ALTITUDE CONVERSION KIT (8-10K FT) .....	72971-G02	
TURF TIRE AND WHEEL ASSEMBLY .....	72994-G02 .....	Wheels And Tires
FRONT DIFFERENTIAL GUARD .....	72844-G01 .....	Drivetrain - Front
REAR DIFFERENTIAL GUARD .....	72899-G01 .....	Drivetrain - Rear

# **INDEX OF MAJOR COMPONENTS**

## **INDEX OF MAJOR COMPONENTS**

# INDEX OF MAJOR COMPONENTS

## BY PART DESCRIPTION

### A

ACCELERATOR CABLE.....	A-2	AIR CLEANER ELEMENT.....	B-2
ACCELERATOR PEDAL.....	A-2	AIR INTAKE PLENUM TO CARBURETOR SEAL.....	B-2
AIR CLEANER.....	B-2	ALTERNATOR.....	G-8, APPENDIX B-2

### B

BALL JOINT.....	I-2	BRAKE ASSEMBLY.....	D-3
BATTERY.....	G-6	BRAKE DRUM.....	D-4
BATTERY RETAINER.....	G-6	BRAKE LINE.....	D-2
BATTERY TRAY.....	G-6	BRAKE PADS (SET OF 4).....	D-2
BEARING.....	I-2	BRAKE PEDAL.....	D-3
BED.....	O-3	BRAKE SHOE.....	D-3
BED LATCH.....	O-3	BRUSH GUARD.....	C-4, APPENDIX B-2
BOOT.....	N-2		

### C

CABLE.....	A-2, A-3, D-6, E-2, O-3	CLUTCH.....	F-6
CABLE END SOCKET.....	E-2	CONTROL ARM.....	I-2
CALIPER.....	D-2	COWL.....	C-2
CHOKE CABLE.....	A-3	CVT COVER.....	F-6

### D

DIFFERENTIAL GUARD.....	F-2, F-8, APPENDIX B-2	DRIVE BELT.....	F-6
DIRECTION SELECTOR CABLE.....	E-2	DRIVE SHAFT.....	F-2, F-8
DIRECTION SELECTOR HANDLE.....	E-2		

### E

ENGINE.....	F-4	EXHAUST.....	H-2
-------------	-----	--------------	-----

### F

FLOORPAN.....	C-6	FUEL LEVEL SENDER.....	J-2
FRONT DIFFERENTIAL.....	F-2	FUEL TANK.....	J-2
FRONT FENDER WELL.....	C-6	FUSE.....	G-2
FUEL CAP.....	J-2	FUSE BLOCK.....	G-2
FUEL FILTER.....	J-2		

### G

GAS SPRING.....	O-4
GAUGE CLUSTER.....	G-4
GOVERNOR.....	A-2
GOVERNOR CABLE.....	A-2



# INDEX OF MAJOR COMPONENTS

## H

HALF SHAFT .....	F-2	HINGE .....	M-2
HAND RAIL .....	C-3	HINGE PIN .....	M-2
HEADLIGHT .....	G-2	HITCH .....	K-2, APPENDIX B-2
HEAT SHIELD .....	O-4	HOOD LATCH .....	C-2
HIGH ALTITUDE CONVERSION KIT .....	APPENDIX B-2		

## I

INSTRUMENT PANEL .....	C-3	ISOLATION MOUNT .....	F-4
------------------------	-----	-----------------------	-----

## K

KEY SWITCH .....	G-4	KNUCKLE .....	I-2
KNOB .....	E-3		

## L

LABEL (ACCESSORY LIGHTS) .....	G-4	LABEL (KEY START) .....	G-4
LABEL (BATTERY DISPOSAL - CE) .....	G-6	LABEL (LATCH WARNING) .....	C-2
LABEL (BED LIFT) .....	G-4	LABEL (PARK BRAKE) .....	C-8
LABEL (BED LOAD WARNING) .....	O-3	LABEL (ST E-Z-GO) .....	O-4
LABEL (COLD STARTING) .....	C-4	LABEL (ST 4X4) .....	C-8, O-4
LABEL (E-Z-GO) .....	C-2	LABEL (TILT WARNING PICTOGRAM) .....	C-8
LABEL (GOVERNOR WARNING) .....	C-8	LABEL (WARNING) .....	C-6, C-8
LABEL (HAND CONTROLS) .....	E-2	LEAF SPRING .....	L-2
LABEL (HEADLIGHT) .....	G-4	LENS, AMBER .....	G-2
LABEL (HITCH CAPACITY) .....	K-2	LUG BOLT .....	F-8
LABEL (HORN) .....	G-4	LUG NUT .....	P-2
LABEL (HOT EXHAUST) .....	C-8		

## M

MASTER CYLINDER .....	D-2	MUFFLER .....	H-2
-----------------------	-----	---------------	-----

## N

NOISE SUPPRESSION STRIP .....	C-6
-------------------------------	-----

## O

OIL FILTER .....	F-4
------------------	-----

## P

PARK BRAKE .....	D-6	PROXIMITY SENSOR SWITCH .....	E-2
PARK BRAKE BOOT .....	D-7	PTO SHAFT .....	G-8
PARK BRAKE CABLE .....	D-6	PULLEY .....	D-6, G-8
POWER OUTLET .....	G-4		
PROXIMITY SENSOR .....	D-7		

# INDEX OF MAJOR COMPONENTS

## R

RACK & PINION.....	N-2	ROCKER PANEL.....	C-6
REAR AXLE.....	F-8	ROTOR.....	D-2
REAR FENDER.....	C-8		

## S

SEALANT.....	B-2	SPARK PLUG.....	F-4
SEAT.....	M-2	SPRING.....	L-2
SEAT PANEL.....	C-8	STEERING COLUMN.....	N-2
SHOCK ABSORBER.....	L-2	STEERING WHEEL.....	N-2
SIDE PANEL.....	C-8	STRUT.....	I-2
SOLENOID.....	F-2, F-8	SWITCH.....	F-4, G-4
SPARK ARRESTER.....	H-2		

## T

TAILGATE.....	O-3	TRANSFER CASE.....	F-4
TAILGATE PROTECTOR.....	O-3	TWO/FOUR WHEEL DRIVE SELECTOR CABLE.....	E-2
TIE ROD.....	N-2	TWO/FOUR WHEEL DRIVE SELECTOR HANDLE.....	E-2
TIRE.....	P-2, APPENDIX B-2		

## V

VALANCE.....	C-6	VOLTAGE REGULATOR.....	G-6
VALVE STEM.....	P-2		

## W

WHEEL.....	P-2
WHEEL CYLINDER.....	D-3
WINCH.....	APPENDIX B-2
WIRE HARNESS.....	G-8
WIRE HARNESS (ALTERNATOR).....	G-8
WOODRUFF KEY.....	G-8





A Textron Company

E-Z-GO Division of Textron, Inc.  
1451 Marvin Griffin Road, Augusta, Georgia 30906 - 3852 USA  
Inside USA Phone: 1-800-241-5855, FAX: 1-800-448-8124  
Outside USA Phone: 010-1-706-798-4311, FAX: 010-1-706-771-4609

Copyrighted Material  
This manual may not be reproduced in whole or  
in part without the express permission of  
E-Z-GO Division of Textron, Inc.  
Technical Communications Department