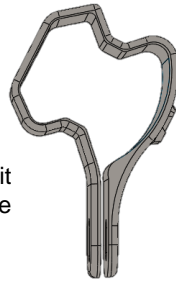


### Contents:

Mirror with universal joint attachment



SZ Profit roll cage clamp



Concave Washer (2)



Spring Washer



Convex Washer (2)



Nut

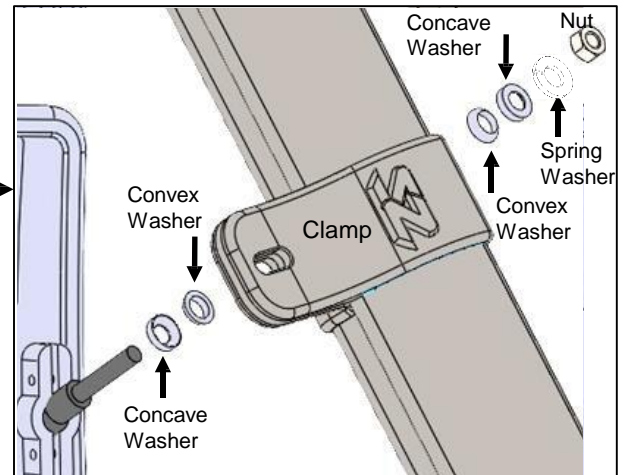
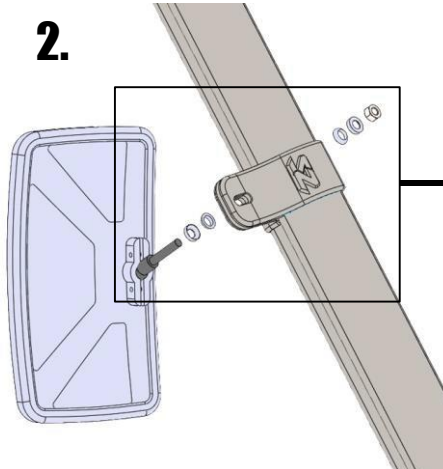


### Installation:

1.



2.



Open the clamp with two hands and snap around roll cage. Be careful when releasing the clamp to avoid pinching fingers. The SZ logo should face forwards.

Loosely attach Mirror with hardware shown above. The concave and convex washers should nest into each other. You will tighten completely after adjustments.



Adjust the mirror up and down the roll cage and angle as needed. Fully tighten locknut.



Seizmik makes Windshields, Doors, LED Light Bars, Hood Racks, and other great accessories for utility vehicles & side x sides. Our products are engineered tough for long life and tested under the harshest of conditions.

Seizmik products are designed, developed and manufactured by Vialink Corp. If you have any questions, comments, need assistance, or are missing parts, please call 1-866-838-3366 between 9:00AM and 5:00PM EST. You can email us at [support@seizmik.com](mailto:support@seizmik.com).