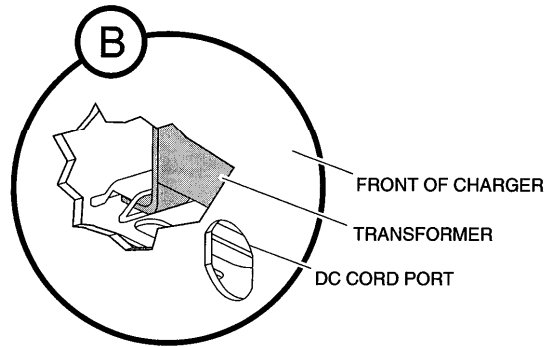
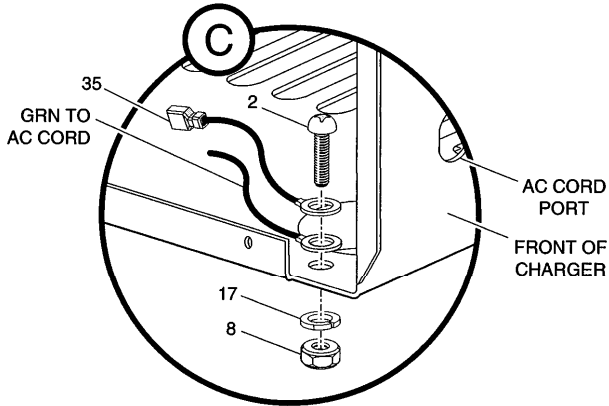


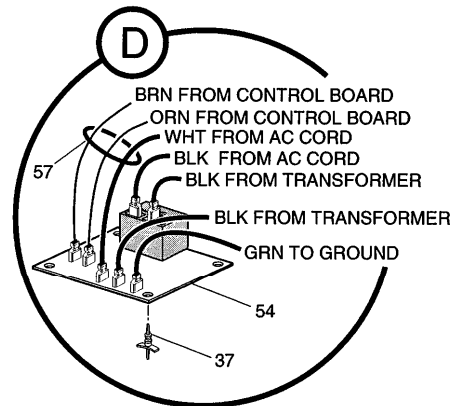
CONTROL BOARD CONNECTIONS



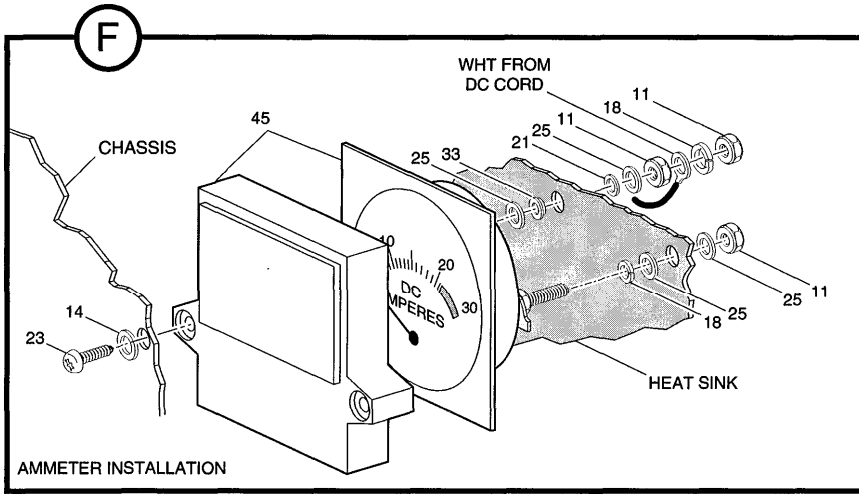
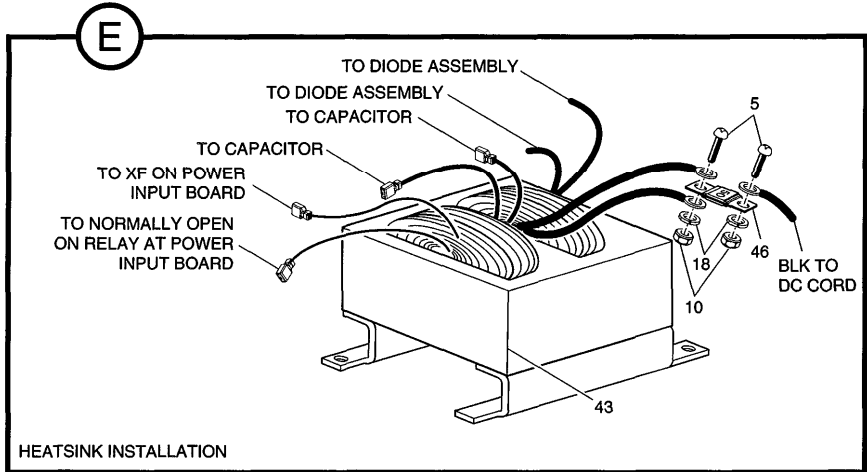
TRANSFORMER LEG INSTALLATION



GROUNDING DETAIL



POWER INPUT BOARD INSTALLATION



THE USE OF NON UL PARTS WILL VOID ANY UL LISTING.

When ordering parts, please specify the model and serial number of the product.

* Indicates a component that is not available as an individual part.

G** Indicates consult Customer Service Department for additional information.

ITEM	PART NO.	1 2 3 4 5	DESCRIPTION	QTY.
1	28115-G01		CHARGER ASSEMBLY (COMPLETE) INCLUDES ITEMS 2 - 58.....	1
2	00372-G3		SCREW, #8 - 32 X 3/8 LG.	1
3	00372-G4		SCREW, #8 - 32 X 1/2 LG.	4
4				
5	00378-G4		SCREW, #10 - 24 X 1/2 LG.	2
6	00414-G5		SCREW, 1/4 - 20 X 5/8 LG.	3
7	00513-G6		SCREW, #8 - 18 X 1 3/4 LG.	2
8	00526-G1		NUT, #8 - 32.....	5
9				
10	00526-G3		NUT, #10 - 24.....	2
11	*		NUT, #10 - 32.....	3
12				
13	00559-G3		WASHER, #6	3
14	00559-G4		WASHER, #8	12
15				
16				
17	00565-G4		WASHER, LOCK, #8	5
18	00565-G5		WASHER, LOCK, #10	4
19				
20	00614-G4		SCREW, #8 - 18 X 1/2 LG.	6
21	00771-G6		WASHER, NYLON, SPECIAL.....	1
22	00969-G01		SCREW, #8 - 32 X 3/8 LG.	3
23	00984-G01		SCREW, #8 - 10 X 1/2 LG.	2
24				
25	*		WASHER, BRASS, #10.....	4
26	01005-G01		SCREW, #6 - 19 X 5/16 LG.	3
27	11027-G2		NUT, LOCK, 1/4 - 20.....	3
28	11572-G3		NUT, PLASTIC EXPANSION	2
29	13557-G2		STRAIN RELIEF, AC.....	1
30	13557-G3		STRAIN RELIEF, DC	1

THE USE OF NON UL PARTS WILL VOID ANY UL LISTING.

When ordering parts, please specify the model and serial number of the product.

* Indicates a component that is not available as an individual part.

G** Indicates consult Customer Service Department for additional information.

ITEM	PART NO.	1	2	3	4	5	DESCRIPTION	QTY.
31								
32	19388-G4						CORD, AC	1
33	22589-G2						WASHER, SHOULDER	1
34								
35	25977-G32						WIRE, 4"	1
36	26979-G01						BRACKET, CAPACITOR	1
37	27877-G01						SUPPORT, SPACER	4
38	28091-G01						LABEL, FRONT	1
39								
40	*						COVER	1
41	*						CHASSIS	1
42	28102-G01						HANDLE	1
43	28103-G01						TRANSFORMER	1
44	28104-G01						HEAT SINK	1
45	28105-G01						AMMETER	1
46	28106-G01						FUSE, 50 AMP	1
47	28109-G01						CAPACITOR	1
48								
49	28110-G01						CLIP, ELECTRICAL	1
50	28111-G01						SUPPORT, CONTROL BOARD	3
51	28112-G01						DIODE	1
52								
53	28126-G01						BOARD, CONTROL	1
54	28126-G03						BOARD, POWER INPUT	1
55	28136-G01						TOP LABEL, VENTILATION	1
56	28136-G02						TOP LABEL, CORD CONDITION	1
57	17618-G1						CLAMP, NYLON	2
58	28137-G**						DC PLUG (COMPLETE)	1