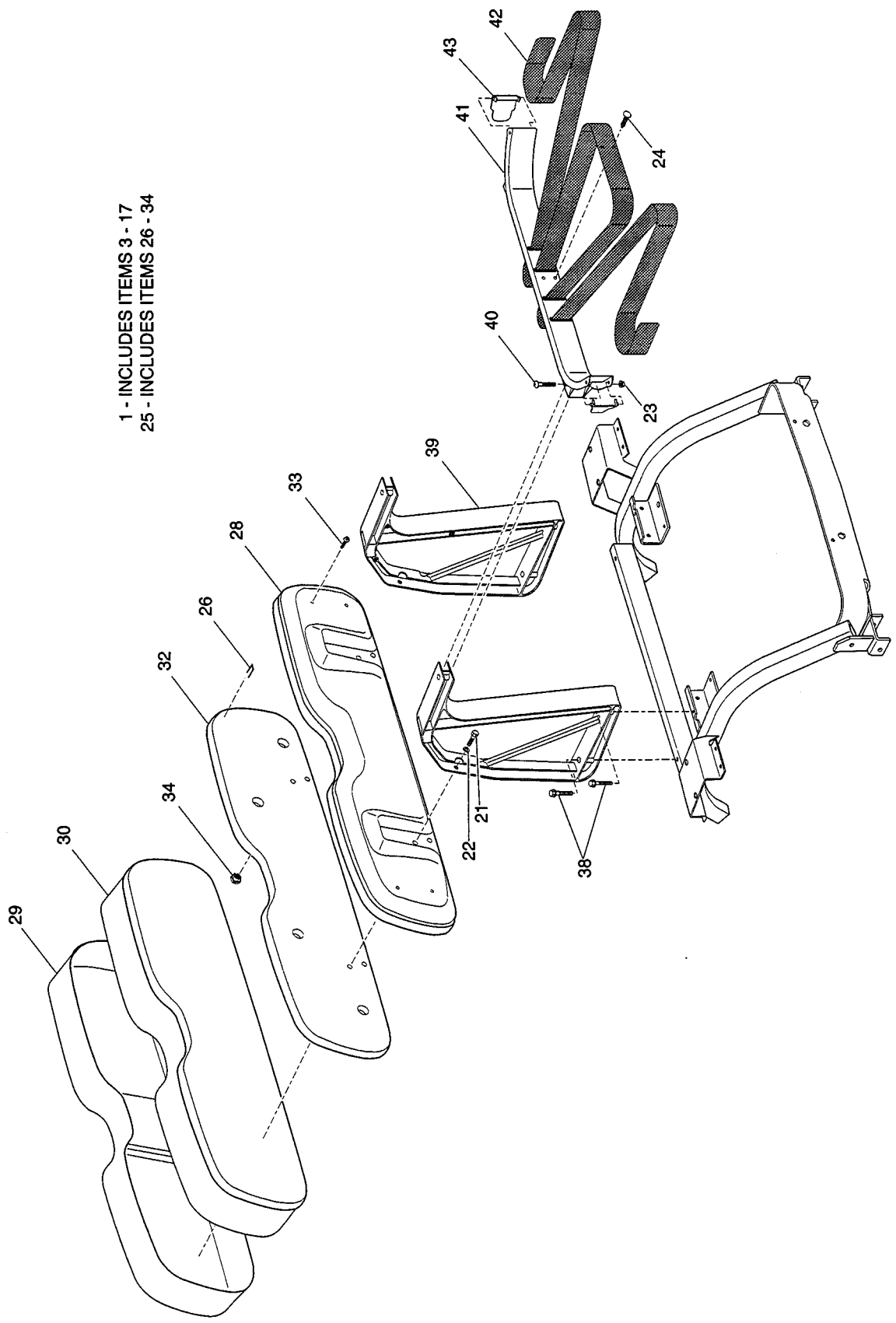
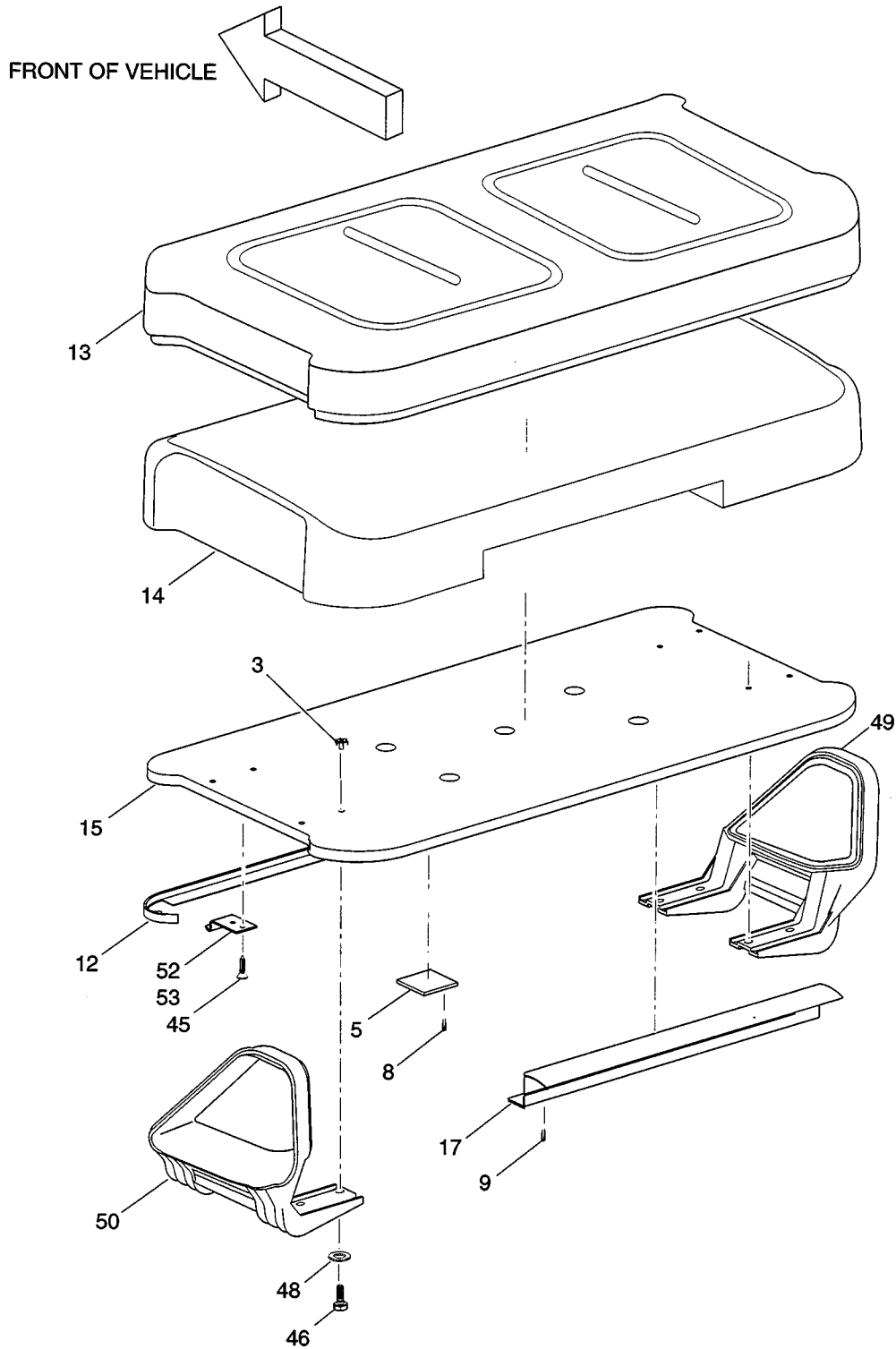
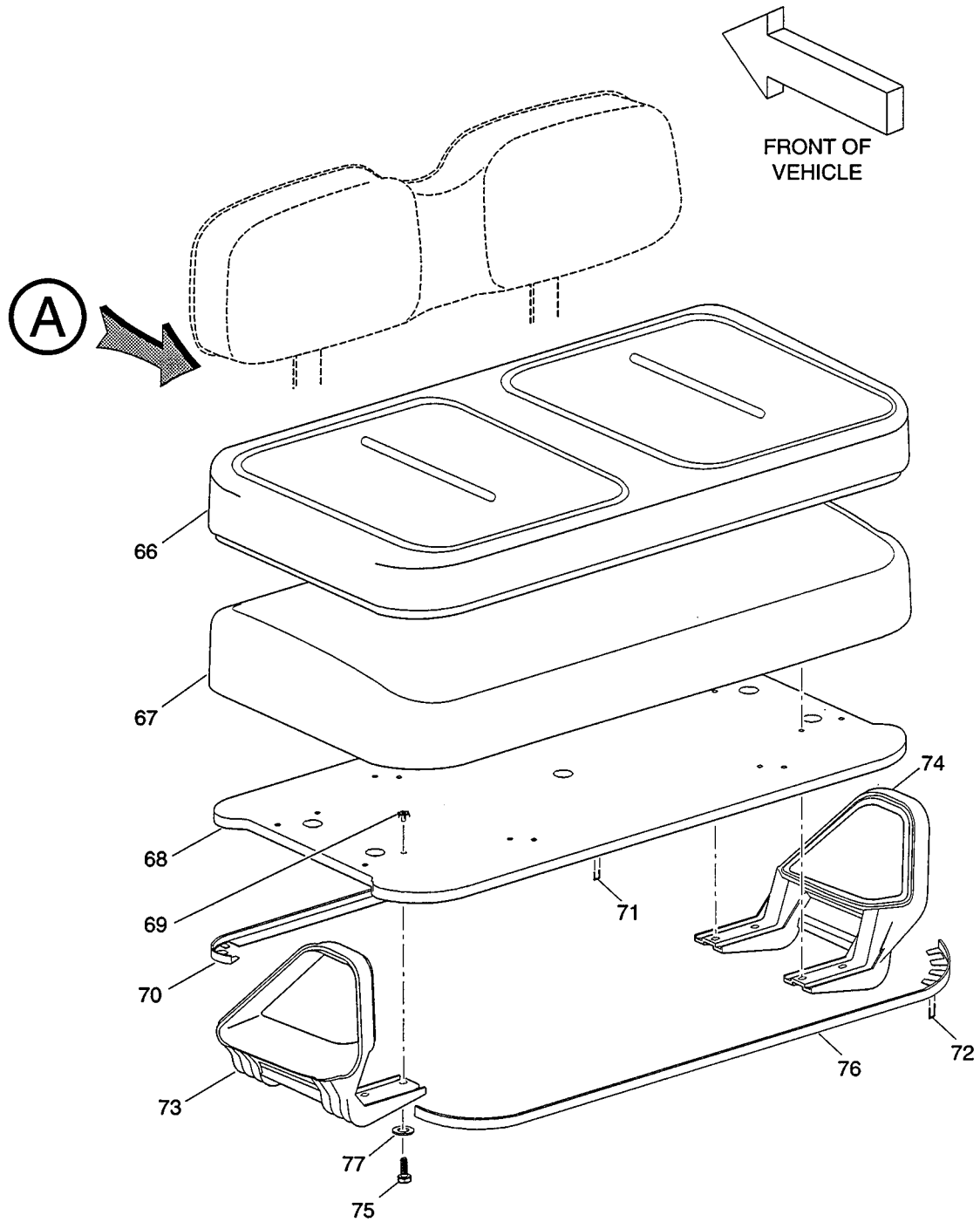


1 - INCLUDES ITEMS 3 - 17  
25 - INCLUDES ITEMS 26 - 34



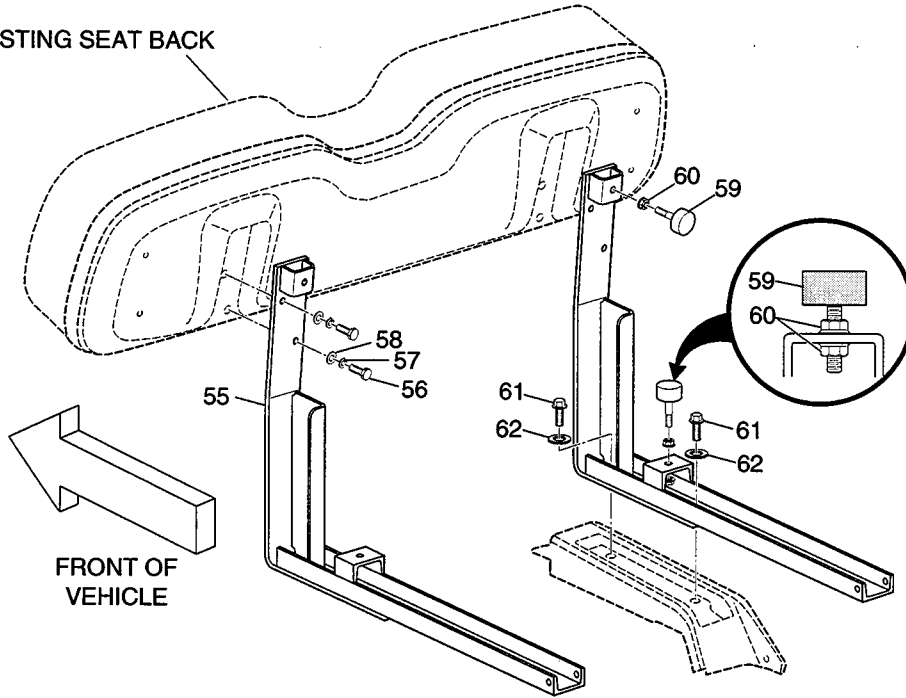


ITEMS 55 - 85 ARE FOR USE ON 4 CADDY MODELS ONLY



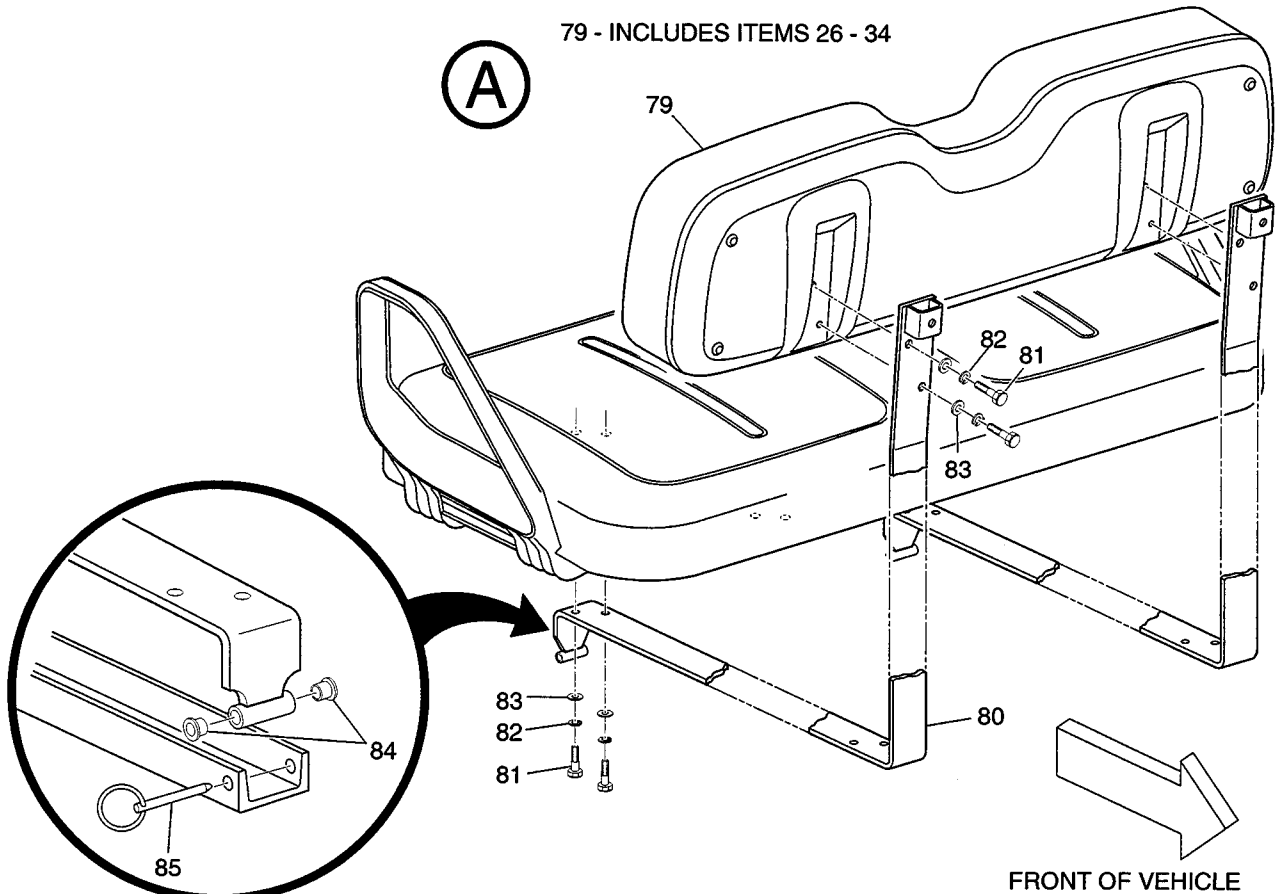
ITEMS 55 - 85 ARE FOR USE ON 4 CADDY MODELS ONLY

EXISTING SEAT BACK



79 - INCLUDES ITEMS 26 - 34

(A)



# SEATING AND BAGRACK

# Electric / Gasoline Vehicle

THE USE OF NON UL PARTS WILL VOID ANY UL LISTING.

When ordering parts, please specify the model and serial number of the product.

\* Indicates a component that is not available as an individual part.

G\*\* Indicates consult Customer Service Department for additional information.

ITEM	PART NO.	1 2 3 4 5	DESCRIPTION	QTY.
1	71611-G**		SEAT BOTTOM ASSEMBLY (INCLUDES ITEMS 3 - 17) .....	1
2				
3	*		NUT, TEE .....	8
4				
5	17074-G1		BUMPER, SEAT .....	2
6				
7				
8	*		STAPLE, FLAT .....	110
9	*		STAPLE, FLAT .....	46
10				
11				
12	71012-G01		VINYL TRIM, SEAT BOTTOM.....	1
13	71602-G**		VINYL SEAT BOTTOM COVER .....	1
14	71603-G02		FOAM PADDING, SEAT BOTTOM .....	1
15	71604-G01		SEAT BOTTOM, WOOD.....	1
16				
17	71608-G01		REAR TRIM, SEAT .....	1
18				
19				
20				
21	00414-G8		BOLT, 1/4 - 20 X 1 LG. ....	4
22	00565-G7		WASHER, LOCK, 1/4 .....	4
23	11027-G2		NUT, LOCK, 1/4 - 20 .....	2
24	16816-G1		FASTENER, PLASTIC RATCHET .....	2
25	71751-G**		SEAT BACK ASSEMBLY (INCLUDES ITEMS 26 - 34) .....	1
26	*		STAPLE, FLAT .....	95
27				
28	71752-G01		PLASTIC, REAR COVER SEAT BACK .....	1
29	71753-G**		VINYL SEAT BACK COVER .....	1
30	71754-G01		FOAM PADDING, SEAT BACK.....	1