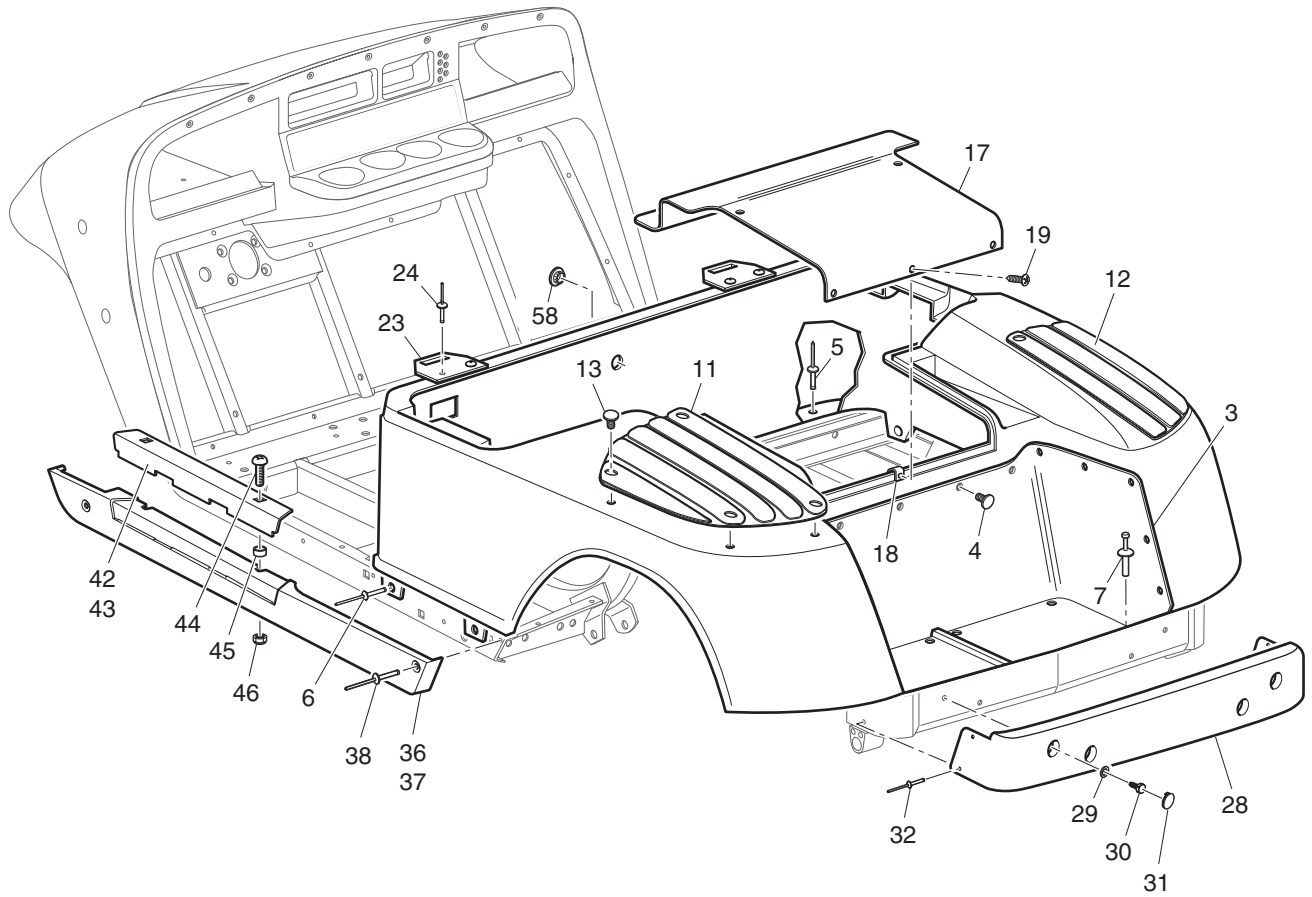
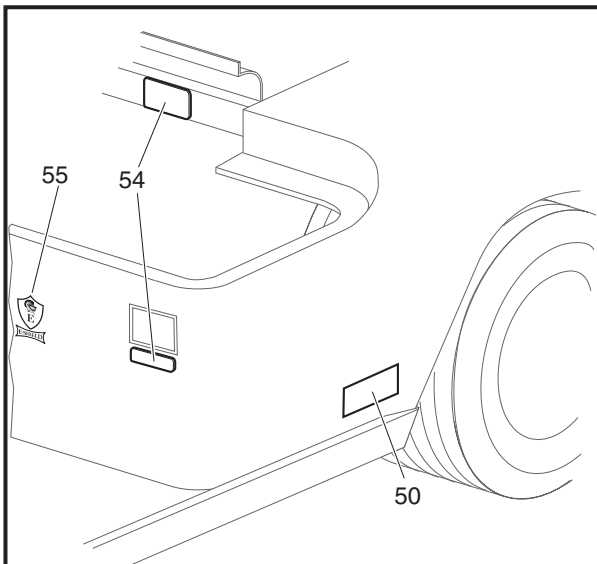


# BODY - REAR

1 - Includes Items 3, 4



## LABELS



Ref Bod 17-3

# BODY - REAR

Where applicable, THE USE OF NON UL PARTS WILL VOID ANY UL LISTING.

When ordering parts, please specify the model and serial number of the product.

\* Indicates a component that is not available as an individual part.

G\*\* Indicates consult Customer Service Department for additional information.

ITEM	PART NO.	1 2 3 4 5	DESCRIPTION	QTY.
1	71912-G0**		REAR BODY (WITHOUT TAILLIGHTS) (INCLUDES ITEMS 3, 4) .....	1
2				
3	71318-G01		BAGWELL LINER .....	1
4	16816-G1		RATCHET FASTENER, 1/4" X 9/16" LG .....	26
5	10570-G10		RIVET, 5/32" X 9/16" LG (STAINLESS STEEL) .....	6
6	10570-G12		RIVET, 1/4" X 9/16" LG (ALUMINUM) .....	4
7	18436-G1		RIVET, 1/4" X 3/4" LG .....	2
8				
9				
10				
11	75126-G01		FENDER SCUFFGUARD (DRIVER SIDE) .....	1
12	75126-G02		FENDER SCUFFGUARD (PASSENGER SIDE) .....	1
13	16816-G2		RIVET, 1/4" X 3/4" LG .....	8
14				
15				
16				
17	71320-G01		ACCESS PANEL .....	1
18	71364-G02		'J' CLIP .....	1
19	01107-G01		SCREW, #8 X 5/8" LG (STAINLESS STEEL) .....	5
20				
21				
22				
23	71609-G01		SEAT HINGE PLATE .....	2
24	10570-G11		RIVET, 3/16" X 3/4" LG (STAINLESS STEEL) .....	4
25				
26				
27				
28	71578-G01		REAR BUMPER .....	1
29	00571-G2		WASHER, 5/16" .....	4
30	71102-G01		BOLT, 1/4 - 20 X 3/4" LG .....	4