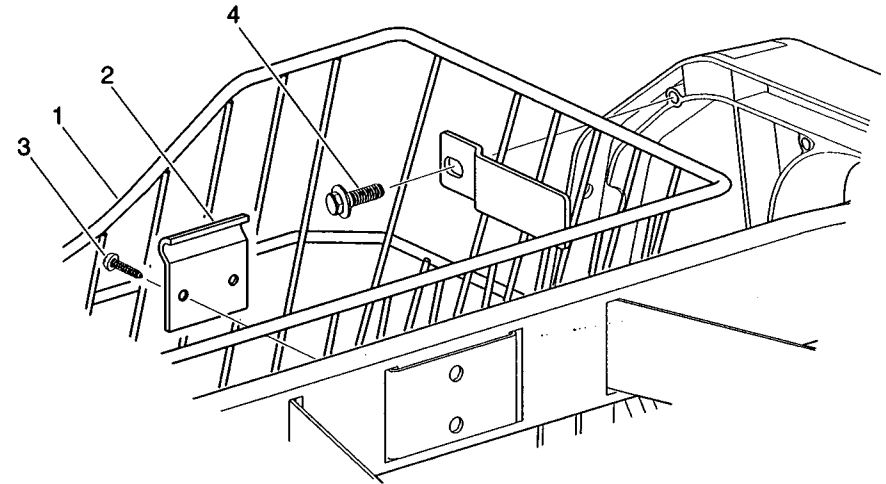
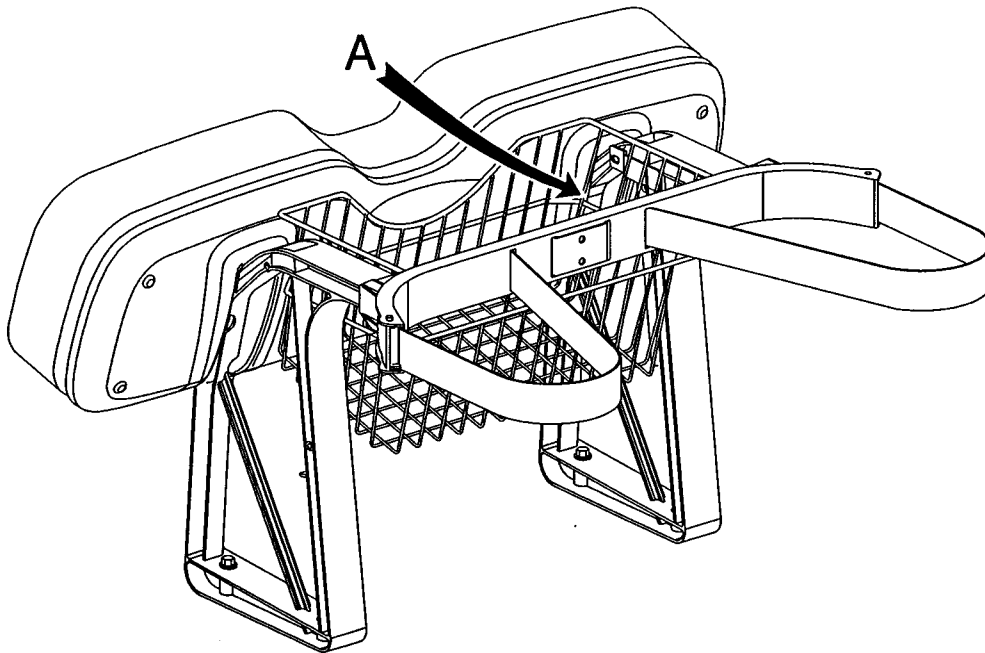


**NOTE:** TO ORDER THIS ENTIRE FIELD KIT, REQUEST PART NO. 75003-G02

**READ ALL INSTRUCTIONS BEFORE PROCEEDING.**

1. PLACE THE CENTER BASKET, ITEM 1 JUST BEHIND THE BAG RACK AS SHOWN IN ILLUSTRATION BELOW.
2. ALIGN THE GROOVE IN THE BASKET BRACKET, ITEM 2 WITH THE TOP EDGE OF THE CENTER BASKET. (SEE DETAIL A.)
3. INSTALL THE THREAD FORMING SCREWS, ITEM 4 INTO THE BASKET BRACKET AND TIGHTEN TO 15 - 20 IN. LBS. TORQUE.
4. SECURE THE CENTER BASKET TO THE SEAT BACK SUPPORTS WITH PLASTITE SCREWS, ITEM 3 AT EACH SIDE AS SHOWN. TIGHTEN TO 60 - 85 IN. LBS. TORQUE.



DETAIL A

| ITEM | QTY | PART NO.  | DESCRIPTION                  |
|------|-----|-----------|------------------------------|
| 1    | 1   | 75001-G01 | BASKET, CENTER               |
| 2    | 1   | 75002-G01 | BRACKET, BASKET              |
| 3    | 2   | 71002-G01 | SCREW, #8 X 3/8 LG. PLASTITE |
| 4    | 2   | 71102-G02 | SCREW, 1/4-20 X 1/2 LG.      |

THE SYMBOL ◁ REFERS TO A NOTE CORRESPONDING TO THE LETTER ENCLOSED WITHIN IT. SEE FOLLOWING PAGE(S) FOR NOTES AND PARTS LISTS. RETAIN THIS DOCUMENT TO FACILITATE THE ORDERING OF REPLACEMENT PARTS.

|   |  |                     |                    |                    |                    |
|---|--|---------------------|--------------------|--------------------|--------------------|
| TITLE <b>CENTER BASKET INSTALLATION</b>   |  |                     |                    | REV <b>A</b>       |                    |
| <b>E-Z-GO TEXTRON</b>   |  | DRN BY<br>ORIG DATE | L WEBB<br>01/03/94 | REV BY<br>REV DATE | L WEBB<br>01/24/94 |
|   |  |                     | <b>A</b>           | DRAWING NO. 75025  | PG. 1 OF 1         |
| E-Z-GO DIVISION OF TEXTRON, INC., P.O. BOX 388, AUGUSTA, GA. 30913-2699, 1-800-241-5855 |  |                     |                    |                    |                    |