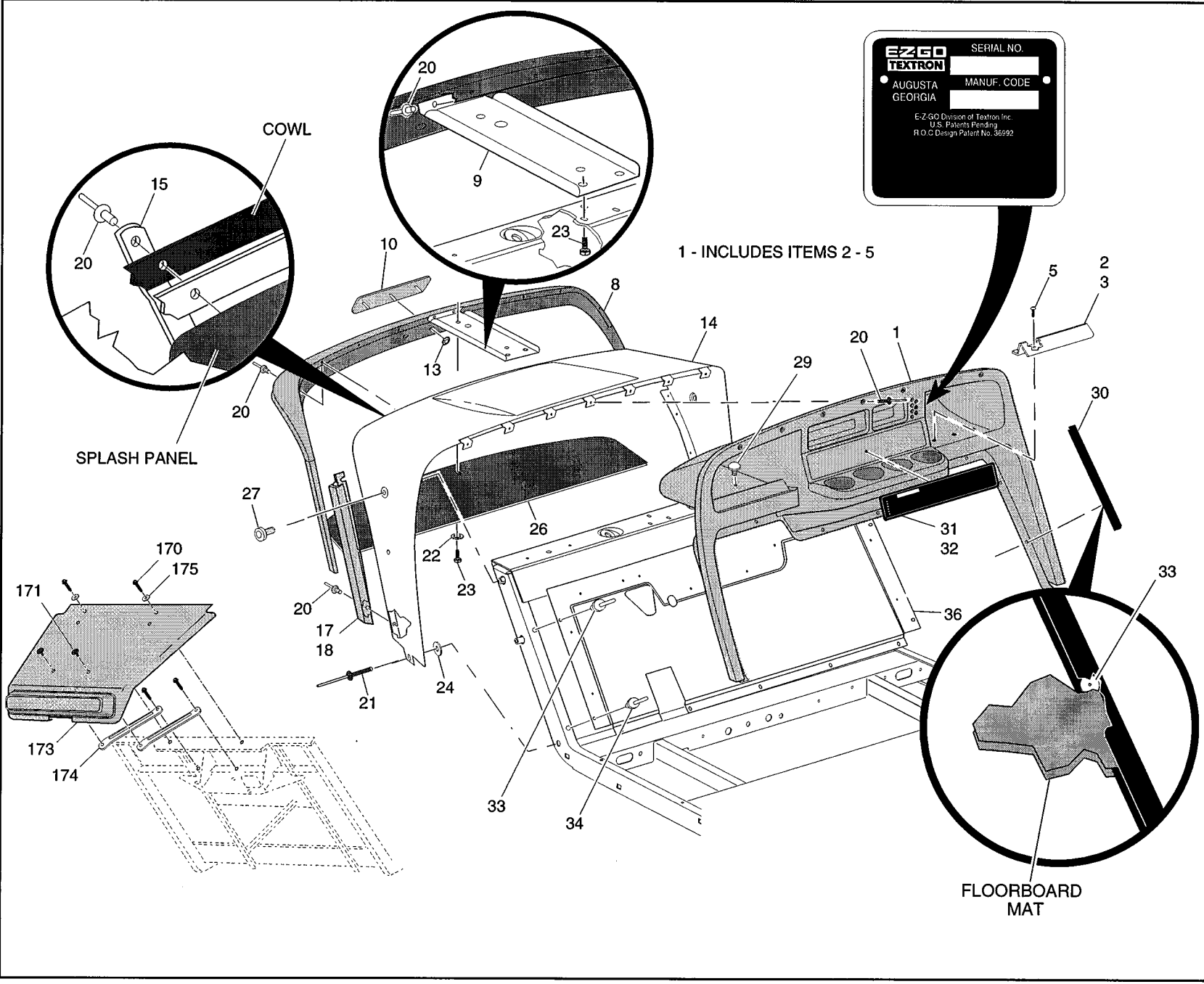


EZGO TEXTRON	SERIAL NO. _____
• AUGUSTA GEORGIA	MANUF. CODE _____
EZ-GO Division of Textron Inc. U.S. Patents Pending R.O.C Design Patent No. 36592	

1 - INCLUDES ITEMS 2 - 5



THE USE OF NON UL PARTS WILL VOID ANY UL LISTING.

When ordering parts, please specify the model and serial number of the product.

* Indicates a component that is not available as an individual part.

G** Indicates consult Customer Service Department for additional information.

ITEM	PART NO.	1 2 3 4 5	DESCRIPTION	QTY.
1	71151-G01		INSTRUMENT PANEL ASSEMBLY (INCLUDES ITEMS 2 - 5).....	1
2	71153-G01		BALL DEFLECTOR, PASSENGER SIDE.....	1
3	71154-G01		BALL DEFLECTOR, DRIVER'S SIDE.....	1
4				
5	00614-G5		SCREW, #8 - 18 X 5/8 LG.....	6
6				
7	71071-G02		COWL.....	1
8	71030-G01		COWL CAP.....	1
9	71101-G01		BRACKET, COWL SUPPORT.....	1
10	19817-G1		NAMEPLATE, E-Z-GO.....	1
11				
12				
13	12064-G3		PUSHNUT, 3/16.....	3
14	71071-G01		COWL, FRONT.....	1
15	71076-G01		TAB, RETAINING.....	2
16				
17	71036-G01		FENDER FLANGE, DRIVER'S SIDE.....	1
18	71035-G01		FENDER FLANGE, PASSENGER SIDE.....	1
19	10570-G10		RIVET, STAINLESS STEEL, 5/32 X 1/2 LG.....	2
20	14601-G10		RIVET, 5/32 X 7/16 LG.....	16
21	10570-G10		RIVET, 5/32 X 9/16 LG.....	2
22	16469-G7		WASHER, 1/4.....	1
23	71102-G02		BOLT, 1/4 - 20 X 1/2 LG.....	4
24	15121-G3		WASHER, 1 1 / 4 O.D. X 7 / 32 I.D.....	2
25				
26	71117-G01		PANEL, SPLASH, FRONT COWL.....	1
27	71056-G01		BOLT, 5/16 - 18 X 5/8 LG.....	4
28				
29	16816-G2		RATCHET FASTENER.....	4
30	71115-G01		TRIM, VINYL.....	2