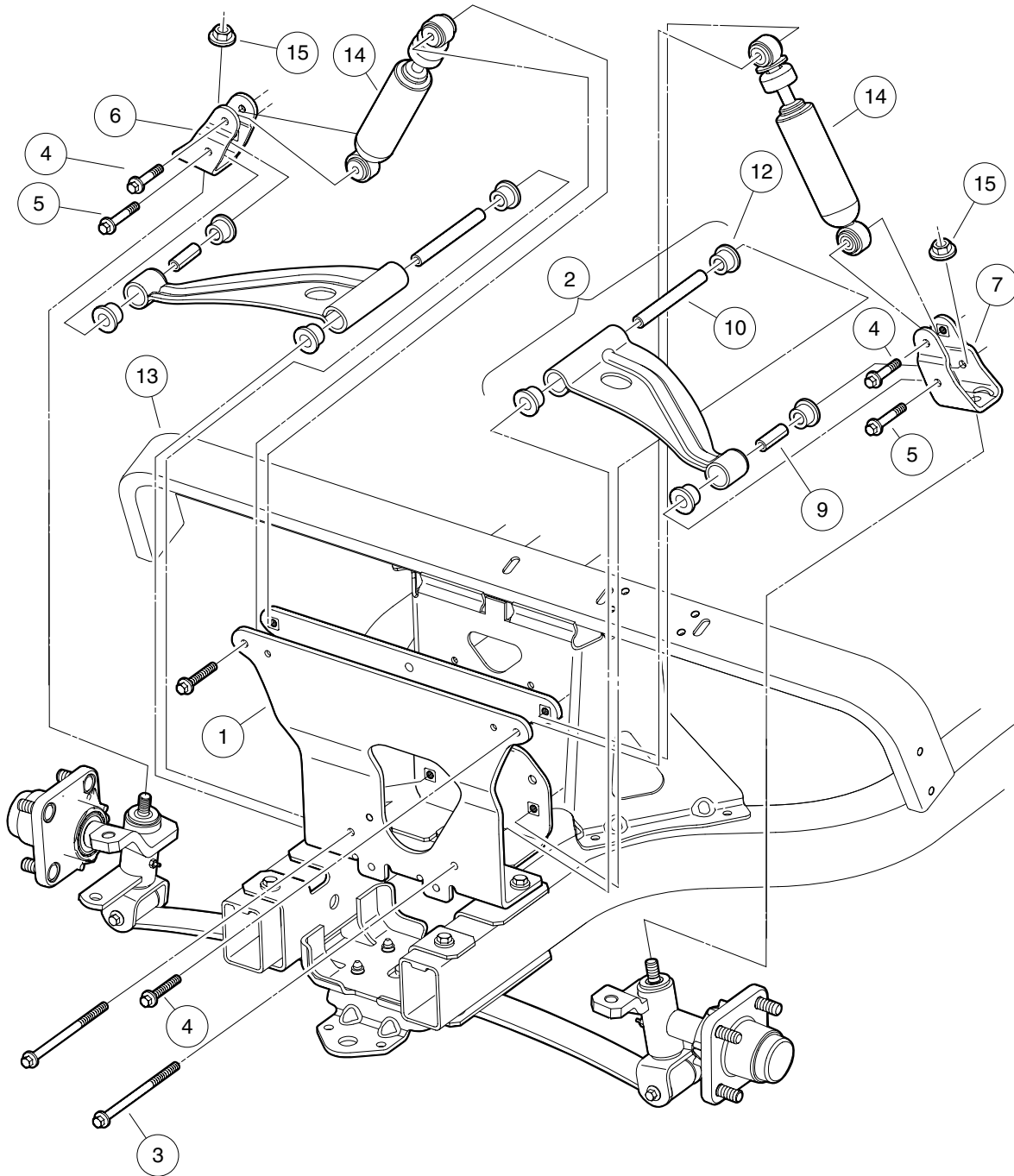


5
G
E



000445-001

FRONT SUSPENSION, UPPER

ITEM	PART NO.	DESCRIPTION	QTY
		1 2 3 4	
1	102287101	Assembly - Front Structure	1
2	102287301	Asm - Control Arm Bushing	2
3	102288901	Bolt-hex FI, M8 X 1.25 X 135	2
4	102289401	Screw- Hex Cap, M8 X 1.25 X 45	4
5	102289501	Screw- Hex Cap, M8 X 1.25 X 70	2
6	102289601	Upper Clevis Assembly - Rh	1
7	102289701	Upper Clevis Assembly - Lh	1
8	102289901	Kit, Susp, Bushing Joints (includes items 9 through 12)	1
9	102287601	Sleeve - Rolled, Outer	2
10	102287701	Sleeve - Rolled, Inner	2
11	102288101	Sleeve - Rolled, Spring	2
12	102956201	Bushing, Urethane, Short, Prec	12
13	102505701	Assembly, Dash Support	1
14	102588601	Shock Absorber Front Prv Spd	2
15	102878201	Nut, Lock,m12,washer,conical	2
<p style="margin-left: 40px;">Note: Item 2 includes bushings and sleeves. Item 8 (not shown) includes bushings and sleeves for control arms, and front suspension leaf spring. See lower suspension page for illustration of item 11.</p>			

5
G
E