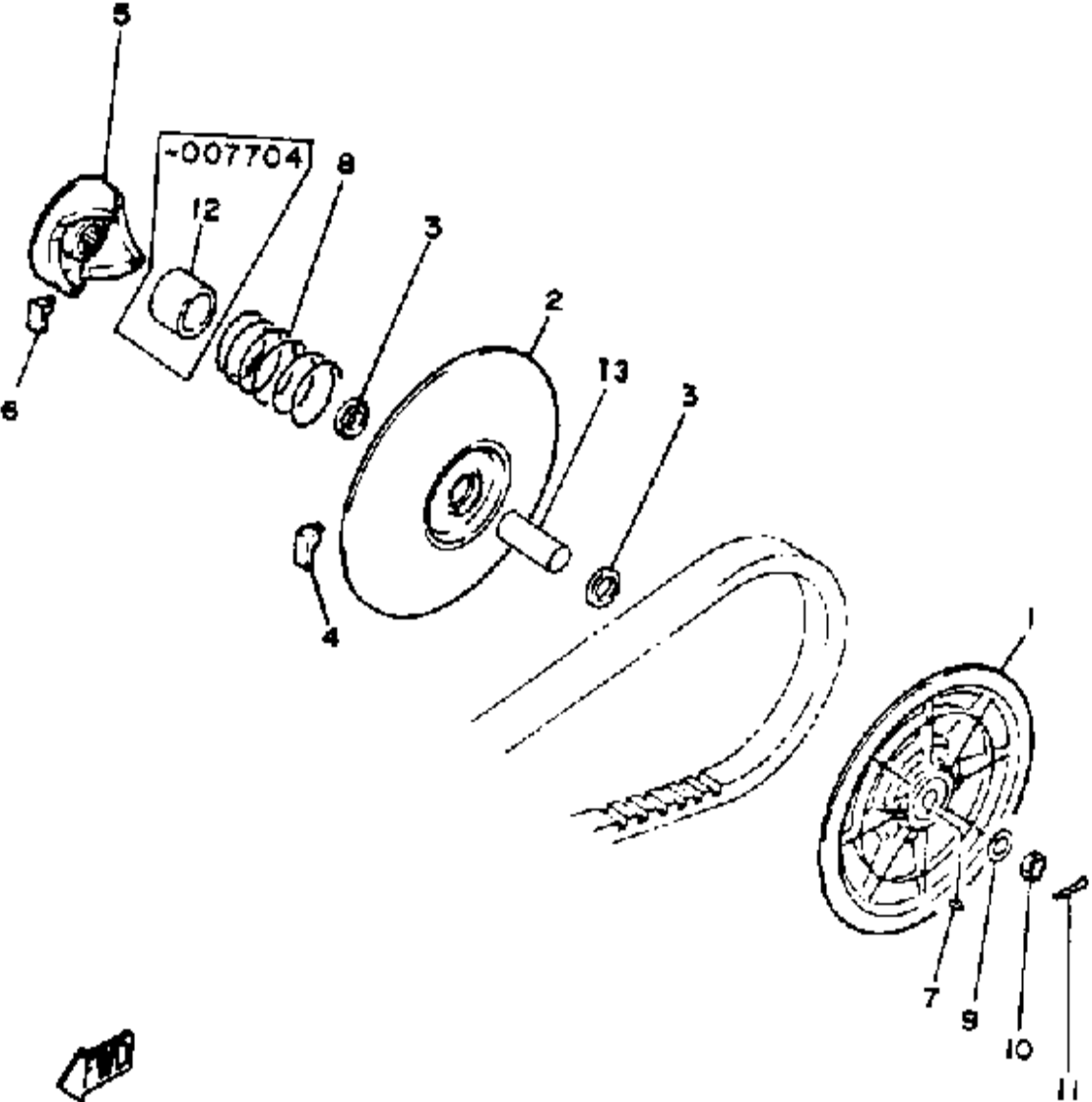


SECONDARY SHEAVE



Ref. No.	Part Number	Description	Qty	Remarks
1	J10-46260-00-00	SEC FIXED SHEAVECOMP ...	1	
2	99999-01489-00	SEC.SLIDING SHEAVECOMP. (J10-W4621-01)	1	
	J17-46270-02-00	SEC.SLIDING SHEAVESHEAVE COMP. (J17-46270-00)	1	
	J55-G6280-00-00	SEC SPRNG SEAT CMP (J38-46280-00)	1	
3	93102-20309-00	SEAL, OIL	2	
4	801-17688-10-00	SHOE, RAMP	3	
5	J55-G6280-00-00	SEC SPRNG SEAT CMP (J38-46280-00)	1	
6	801-17688-10-00	SHOE, RAMP	3	
7	90280-05022-00	KEY, WOODRUFF	1	
8	90501-45600-00	SPRING, COMPRESSION	1	866~
9	92990-12200-00	WASHER, PLAIN	1	
10	95301-12900-00	NUT, SLOTTED	1	
11	91401-30030-00	PIN, COTTER	1	
12	90387-38685-00	COLLAR	1	
13	90384-20143-00	BUSH, BIMETAL FORM FORMED	1	

