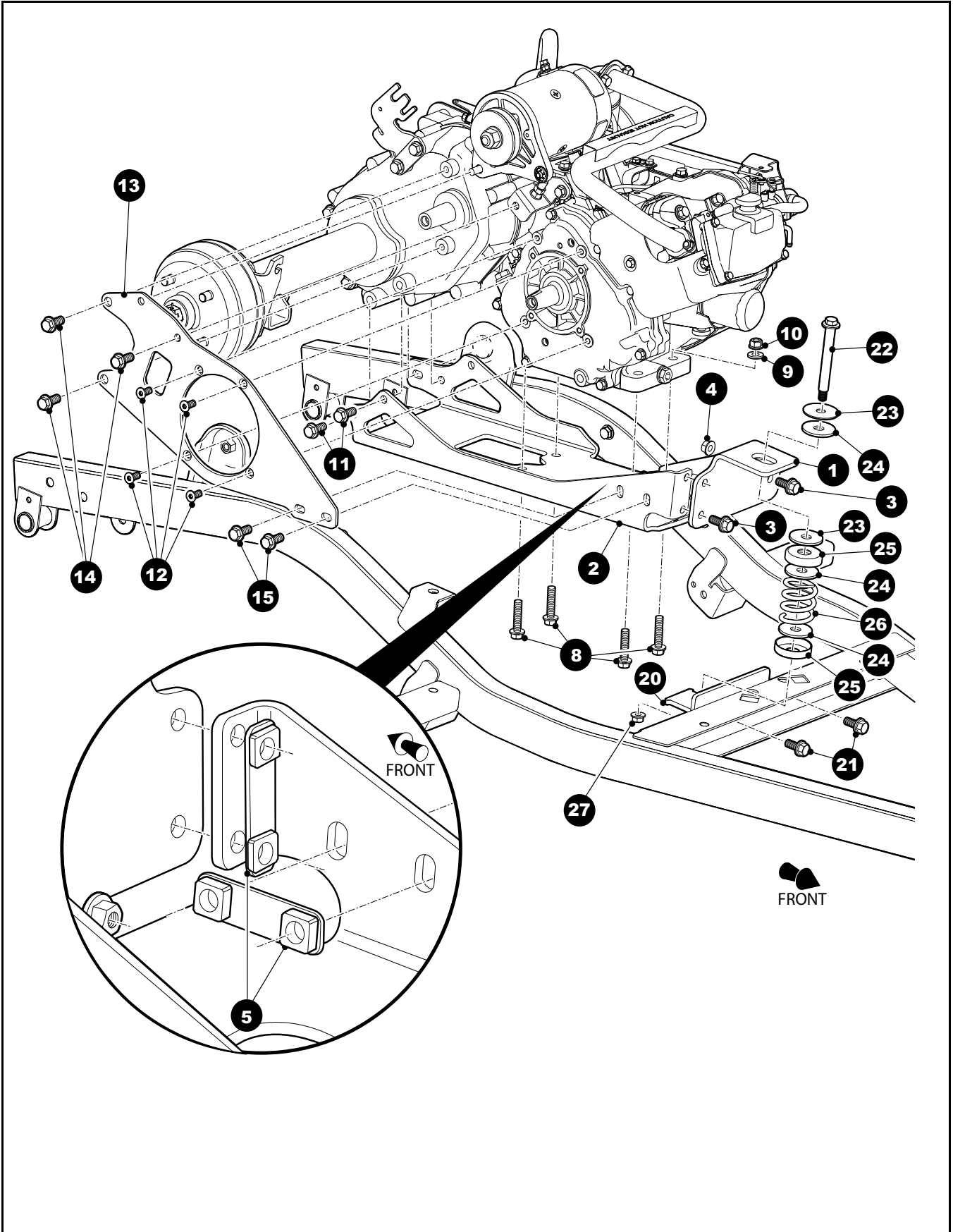


# ENGINE MOUNTING



# ENGINE MOUNTING

Where applicable, THE USE OF NON UL PARTS WILL VOID ANY UL LISTING.

When ordering parts, please specify the model and serial number of the product.

\* Indicates a component that is not available as an individual part.

G\*\* Indicates consult Customer Service Department for additional information.

ITEM	PART NO.	1 2 3 4 5	DESCRIPTION	QTY.
1	606007		FRONT ENGINE MOUNT .....	1
2	603101		ENGINE PAN MOUNT .....	1
3	606256		BOLT, M10 - 1.25 X 25 .....	3
4	606279		NUT, M10 - 1.25 .....	1
5	606096		NUT PLATE .....	2
6				
7				
8	606259		BOLT, .....	4
9	603823		FLAT WASHER, M10 X 22 - 2.5.....	4
10	606279		NUT, M10 - 1.25 .....	4
11	608020		BOLT, M10 - 1.25 X 34 .....	4
12	606246		FLAT HEAD SCREW, T40.....	4
13	602146		DIFFERENTIAL PLATE.....	1
14	606256		BOLT, M10 - 1.25 X 25 .....	3
15	606256		BOLT, M10 - 1.25 X 25 .....	2
16				
17				
18				
19				
20	608641		WELDMENT, ISO MOUNT .....	1
21	603799		BOLT, M10 -1.0 X 25 .....	2
22	607299		BOLT, M10 - 1.5 .....	1
23	607297		RUBBER WASHER.....	2
24	607298		DELTRIN WASHER.....	3
25	24939G2		CAP ADAPTER .....	2
26	606166		COMPRESSION SPRING.....	1
27	600525		NUT, PLS, LK, M10 - 1.5 .....	1