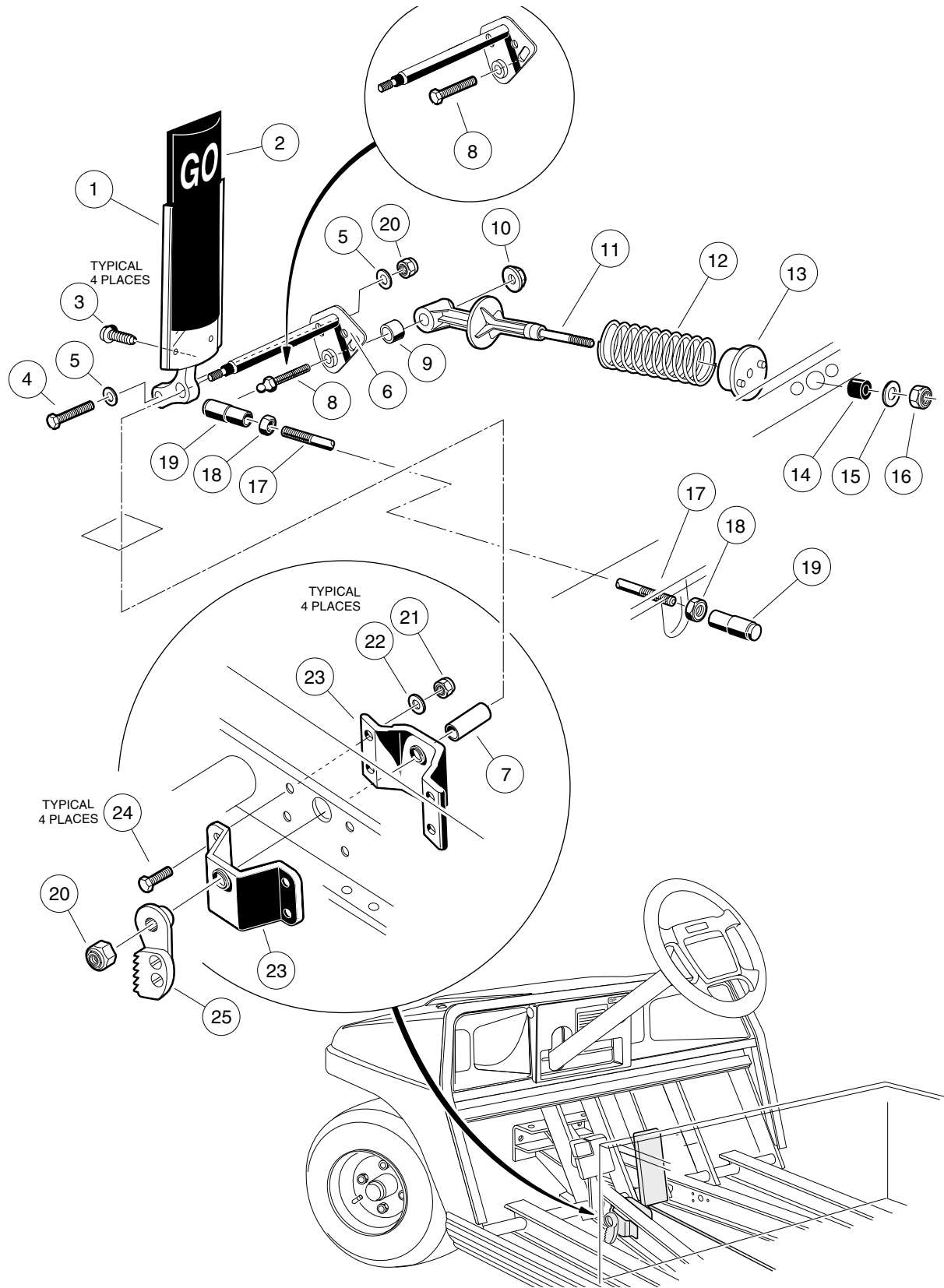


**4**  
**G**  
**E**



# ACCELERATOR PEDAL ASSEMBLY

ITEM	PART NO.	DESCRIPTION	QTY GAS	QTY ELEC
		1 2 3 4		
1	1017696	Sub-Assembly, Accelerator Pedal (includes Items 2 and 3) .....	1	1
2	1013871	Pad, Accelerator Pedal .....	1	1
3	7716	Screw, Slotted Hex Washer Head, #10-16 x 1/2 .....	4	4
4	1624	Screw, Hex Cap, 3/8-16 x 1-1/2 .....	1	1
5	334	Washer, Flat, 3/8 .....	2	2
6	102026001	Kit, Accelerator Pivot Rod (includes Item 7) .....	1	1
7	1011700	Spacer .....	1	1
8	101818801	Stud, Ball (for all vehicles except those equipped with MCOR) .....	1	1
8	101862001	Screw, Hex Head Cap, 1/4-20 x 1-3/8 (MCOR vehicles) .....	1	1
9	1017424	Bearing, Pivot Support .....	1	1
10	101966901	Nut, Flange, 1/4-28 .....	1	1
11	101817401	Retainer, Spring .....	1	1
12	101796201	Spring, Return .....	1	1
13	1017378	Cup, Spring .....	1	1
14	1017380	Bumper, Return Spring .....	1	1
15	1241	Washer, Flat, 5/16 .....	1	1
16	7473	Nut, Nylon Lock, 5/16-18 .....	1	1
17	101871901	Assembly, Accelerator Rod (PowerDrive System 48 vehicles equipped with multi-step potentiometers and all V-Glide 36-Volt vehicles) (includes items 18 and 19).....		1
17	101912401	Assembly, Accelerator Rod (gasoline vehicle only) (includes items 18 and 19) .....	1	
18	1011084	Nut, UNF Hex Jam, 1/4-28 .....	2	2
19	1011734	Joint, Spring-Loaded Ball .....	2	2
20	8754	Nut, Nylon Lock, 3/8-16 .....	2	2
21	8233	Nut, Nylon Lock, 1/4-20 .....	4	4
22	1014007	Washer, Flat, Type B, 1/4 .....	4	4
23	1011694	Support, Accelerator Pivot Rod .....	2	2
24	101861901	Screw, Hex Cap, 1/4-20 x 1-1/8 .....	4	4
	101187702	Kit, Park Brake Latch (includes item 25, and items 16 - 20 on page 4-5) ..	1	1
25	N/A	Ratchet, Park Brake .....	1	1

4  
G  
E