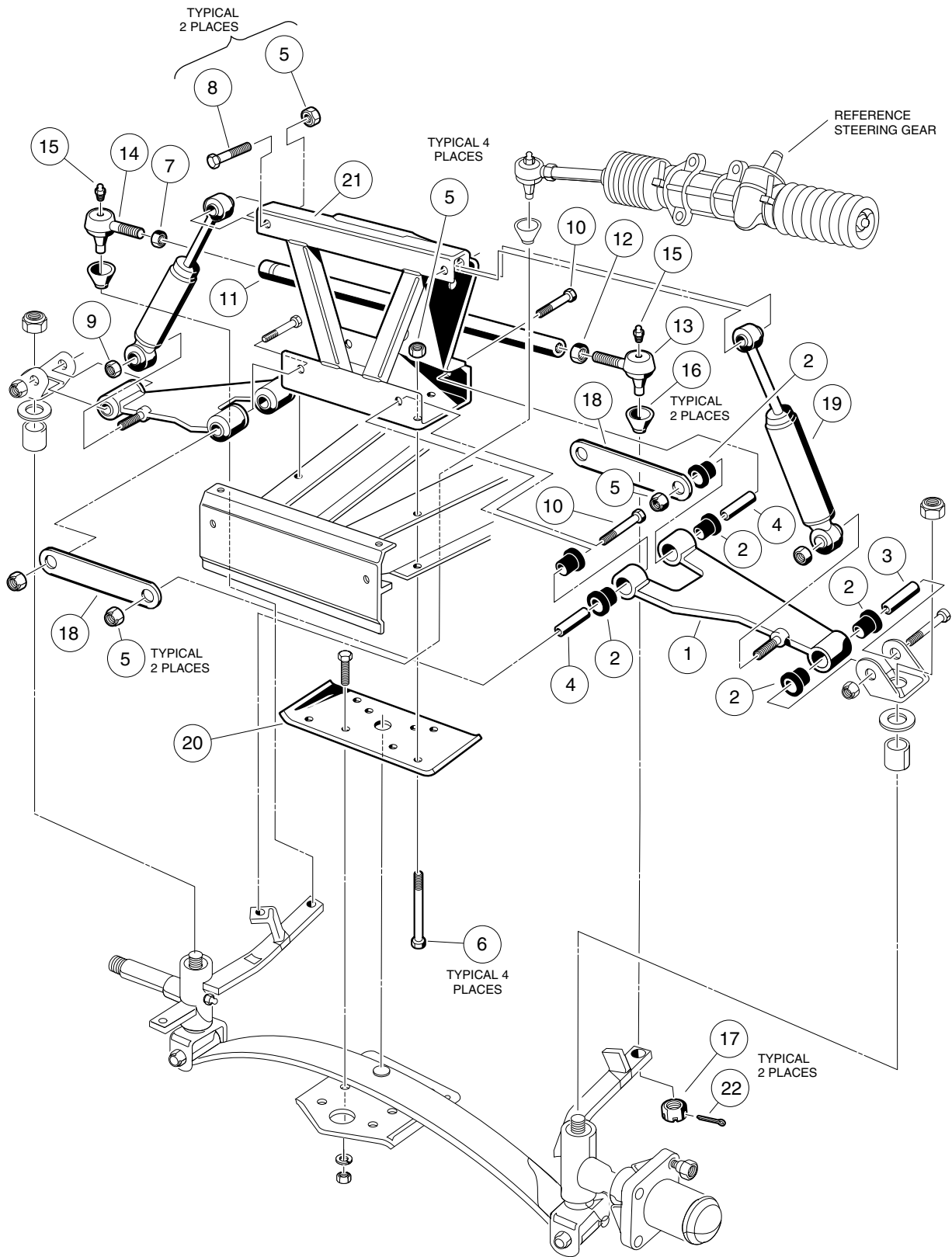


5
G
E



FRONT SUSPENSION, UPPER

ITEM	PART NO.	DESCRIPTION	QTY
		1 2 3 4	
1	1016353	Assembly, Delta A-Plate (includes items 2, 3 and 4)	2
2	1016346	Bushing, Urethane	6
3	1016350	Sleeve, Delta Outer	1
4	1016349	Sleeve, Delta Inner	2
5	8754	Nut, Nylon Lock, 3/8-16	10
6	1010200	Screw, Hex Head Cap, 3/8-16 x 4-1/4	4
7	1308	Nut, Hex, 1/2-20	1
8	8861	Screw, Hex Head Cap, 3/8-16 x 1-3/4	2
9	1010138	Nut, Dimpled Lock, 3/8-16	2
10	2402	Screw, Hex Head Cap, 3/8-16 x 2-1/4	4
11	1010219	Rod, Tie	1
12	7555	Nut, Hex, Left-Hand Thread, 1/2-20	1
13	7540	Ball Joint, Left-Hand Thread (includes items 15, 16 and 17)	1
14	7539	Ball Joint (includes items 15, 16 and 17)	1
15	1015597	Fitting, Thread-Forming Grease, 1/4-28	1
16	1011930	Boot, Dust	1
17	7602	Nut, Slotted Hex, 3/8-24	1
18	1017266	Strap, A-Plate	1
19	1014235	Shock Absorber, Front	2
20	1010124	Plate, Spring Mounting	3
21	1016385	Assembly, Delta Shock and Gear Support	1
22	1035	Pin, Cotter, 3/32 x 1	3

5
G
E