

FIG. 12 BODY

REF NO.	PART NUMBER	DESCRIPTION	QTY	REMARKS
1	JU0-K8115-00-00	COWL, FRONT	1	IVORY
	JU0-K8115-30-00	COWL, FRONT	1	BURGUNDY
	JU0-K8115-50-00	COWL, FRONT	1	HUNTER GRN
	JU0-K8115-60-00	COWL, FRONT	1	CANDY APPLE RED METALLIC
	JU0-K8115-70-00	COWL, FRONT	1	BRILLIANT BLUE METALLIC
2	JN3-K818E-00-00	CAP, PROTECTOR	2	W/O SUNTOP
3	JU0-F4161-00-00	EMBLEM, 1	1	
4	JU0-K7573-00-00	NUT, SPECIAL	2	
5	JU0-F2567-00-00	CLIP, FRONT COWL	1	
6	JF2-K811V-00-00	PROTECTOR, 1	1	
7	JU0-K8261-00-00	PLATE, BODY PROTECTOR 1	2	
8	90201-06829-00	WASHER, PLAIN	10	
9	JF2-K8262-01-00	PLATE, BODY PROTECTOR 2	1	
10	JF2-K8263-01-00	PLATE, BODY PROTECTOR 3	1	
11	90185-06836-00	NUT, SELF-LOCKING	10	
12	JN6-K8264-00-00	PLATE, BODY PROTECTOR 4	1	
13	95607-06200-00	NUT, U-FLANGE	4	
14	JN6-K8265-00-00	PLATE, BODY PROTECTOR 5	1	
15	JN3-K8273-00-00	COVER, HOLE 1	1	
16	JF2-K8114-02-00	PANEL, FRONT	1	
17	90269-08069-00	RIVET	3	
18	JN3-K815G-00-00	SEAL, FRONT STORAGE	1	
19	JN3-K7768-00-00	LABEL, WARNING 8	1	UR, FOR USA SEE NOTE "A"
	JN3-K7768-10-00	LABEL, WARNING 8	1	UR, FOR CAN SEE NOTE "A"

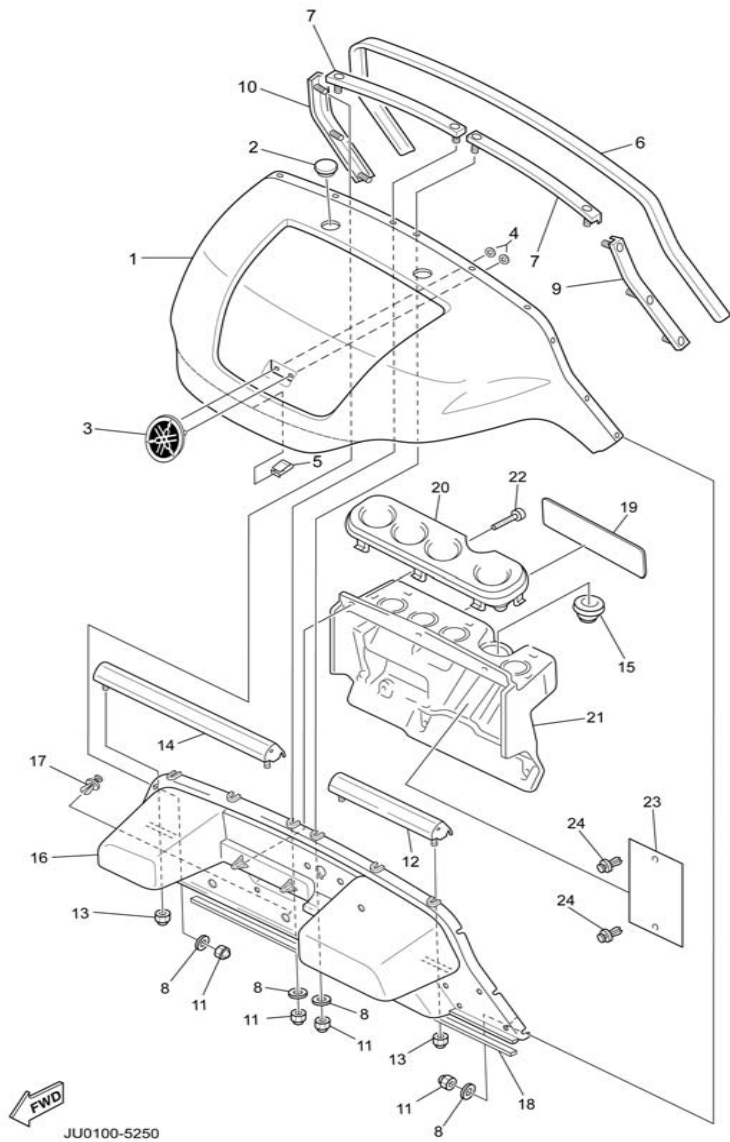


FIG. 12 BODY

REF NO.	PART NUMBER	DESCRIPTION	QTY	REMARKS
	JN3-K7768-20-00	LABEL, WARNING 8	1	UR, FOR EUR SEE NOTE "A"
20	JN6-K835E-00-00	HOLDER, BEVERAGE	1	
21	JR1-K835G-00-00	HOUSING, HOLDER	1	
22	97707-60130-00	SCREW, PAN HEAD	6	
23	JN6-K8182-00-00	PLATE, 2	1	
24	90267-63047-00	RIVET, BLIND	2	

NOTE "A": When replacing "Housing Holder JR1-K835G-00-00" you should also replace "Label Warning 8 JN3-K7768-\*\*-00".